

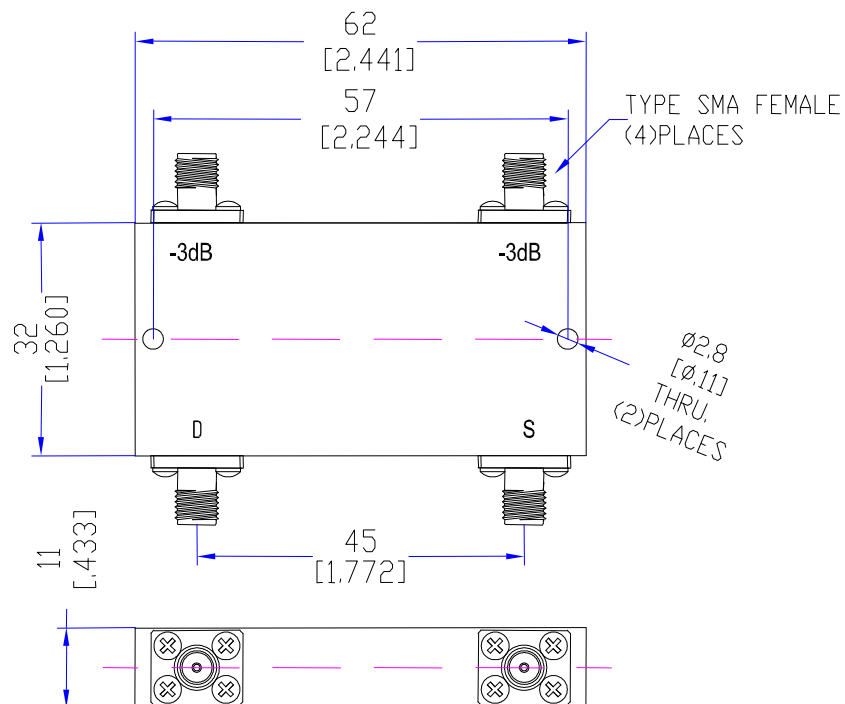
Model THC1214B

Features

Excellent phase & amplitude balance
Low Insertion Loss & VSWR
High Isolation

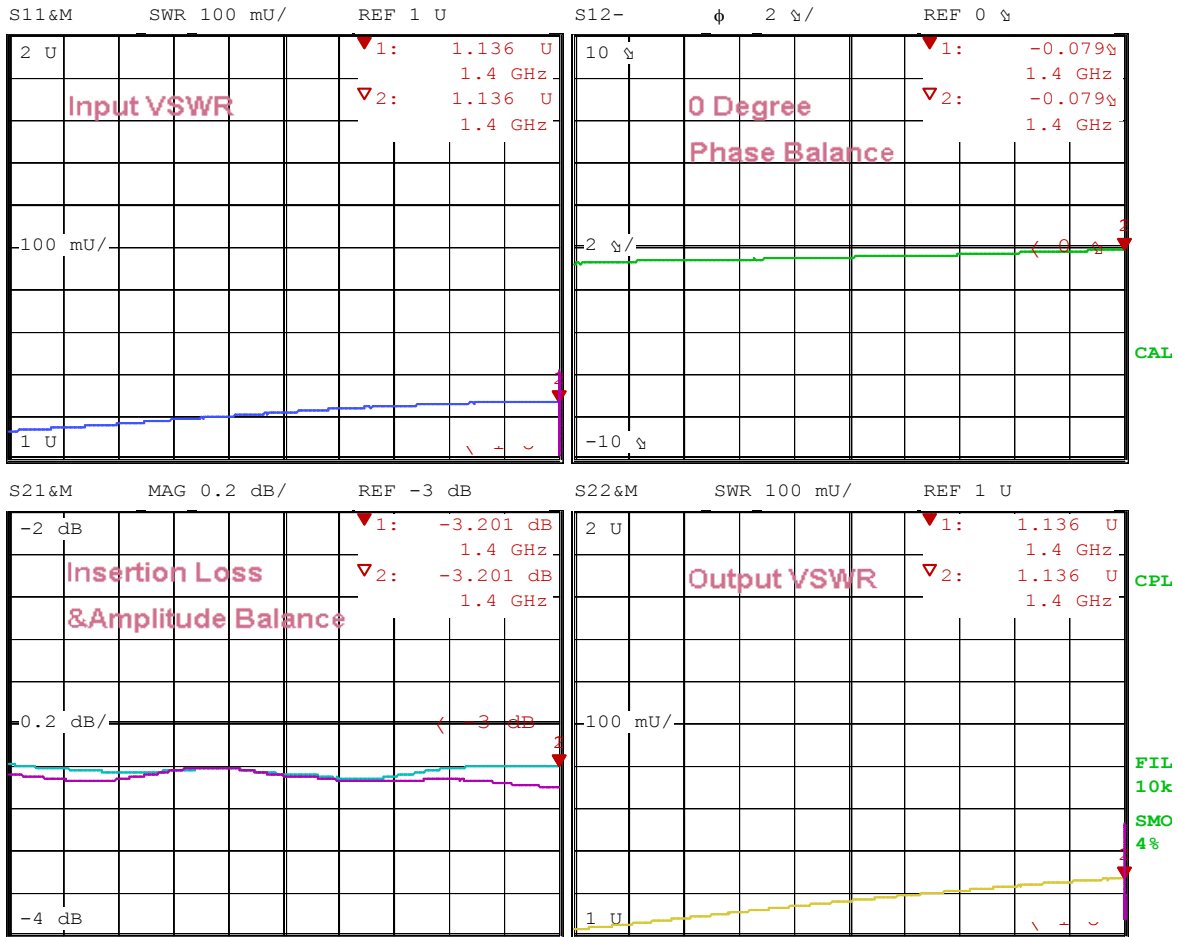
Technical Data Sheet			
Frequency Range	1.2~1.4GHz	Finish	Painted Blue_ RAL #5007
Nominal Split	3.01dB	Connector Body	Passivated Stainless Steel
Insertion Loss	≤0.3dB	Housing	Aluminum, 6061 T6 Clear Chem Conversion Film
Isolation	≥24dB		
Amplitude Balance	≤±0.2dB	Connector Pin	Beryllium Copper, Gold Plate
Phase Balance	≤±2°	Solder	Lead Free, RoHS Compliant
VSWR	≤1.20:1	Operating Temperature	-55~+85°C
¹ Power Handling	Average ≤50Watt Peak ≤1KW	Operating Humidity	Up to 95%, Non- Condensing
Impedance	50Ω	Weight	60g
Port Connectors	SMA-Female		

¹Power Handling guaranteed when load's VSWR within 1.50:1.



Typical Performance

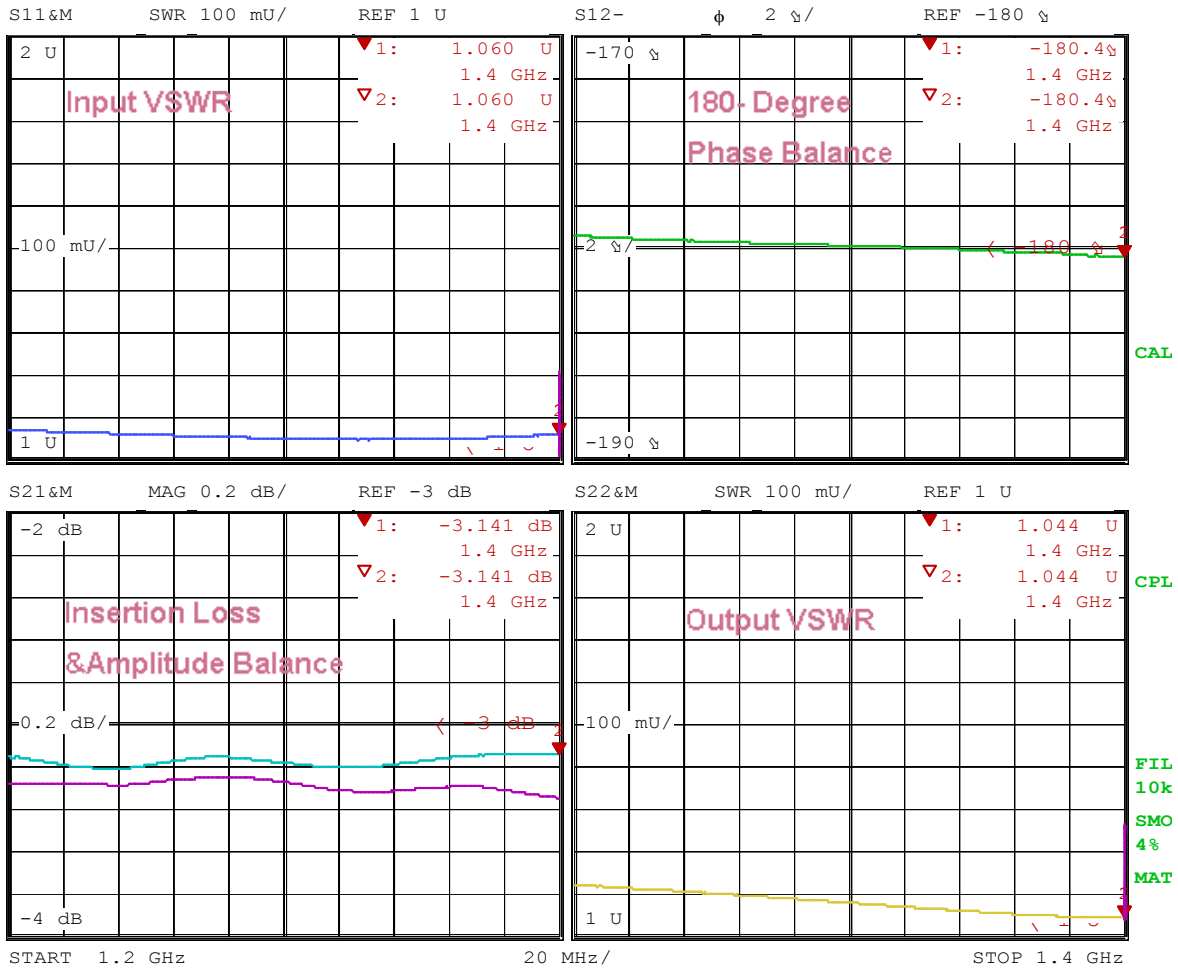
1. Insertion Loss, Amplitude & Phase Balance, VSWR_0°



Date: 4.AUG.16 17:06:47

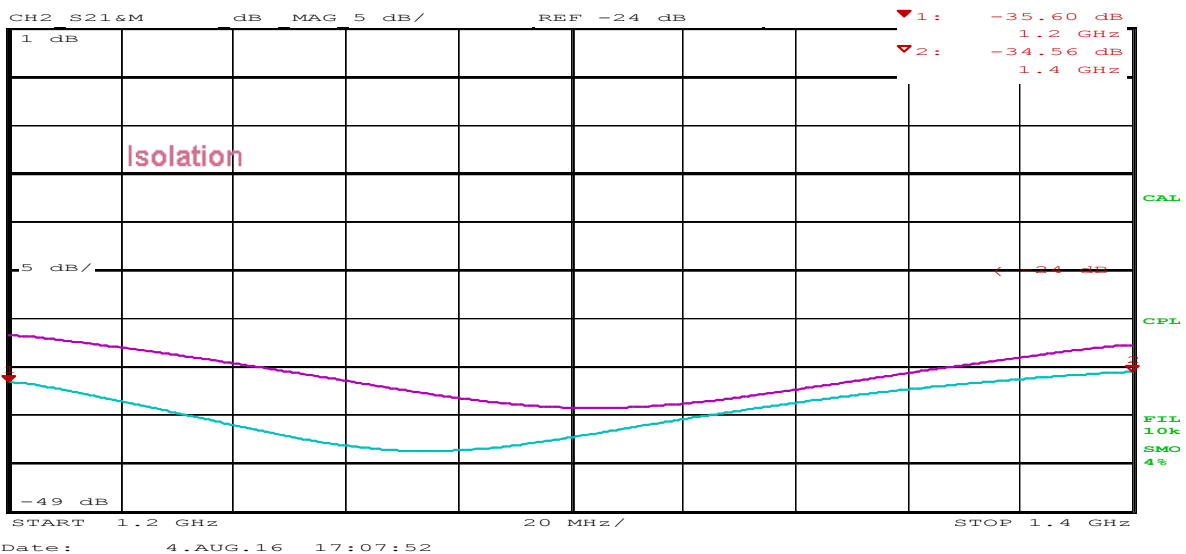


2. Insertion Loss, Amplitude/ Phase Balance, VSWR _ 180°



Date: 4.AUG.16 17:05:20

3. Isolation



Date: 4.AUG.16 17:07:52

