

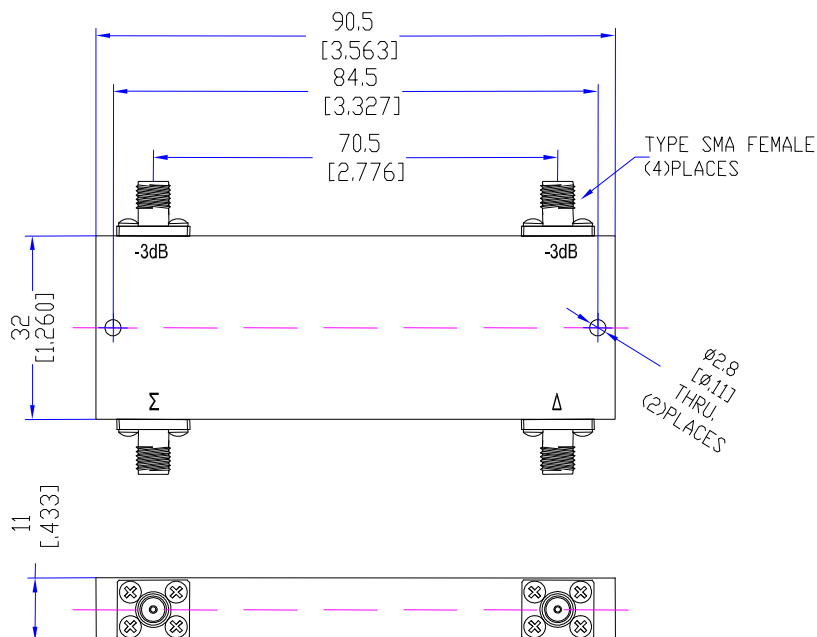
## Model THC0510B

### Features

Excellent phase & amplitude balance  
Low Insertion Loss & VSWR  
High Isolation

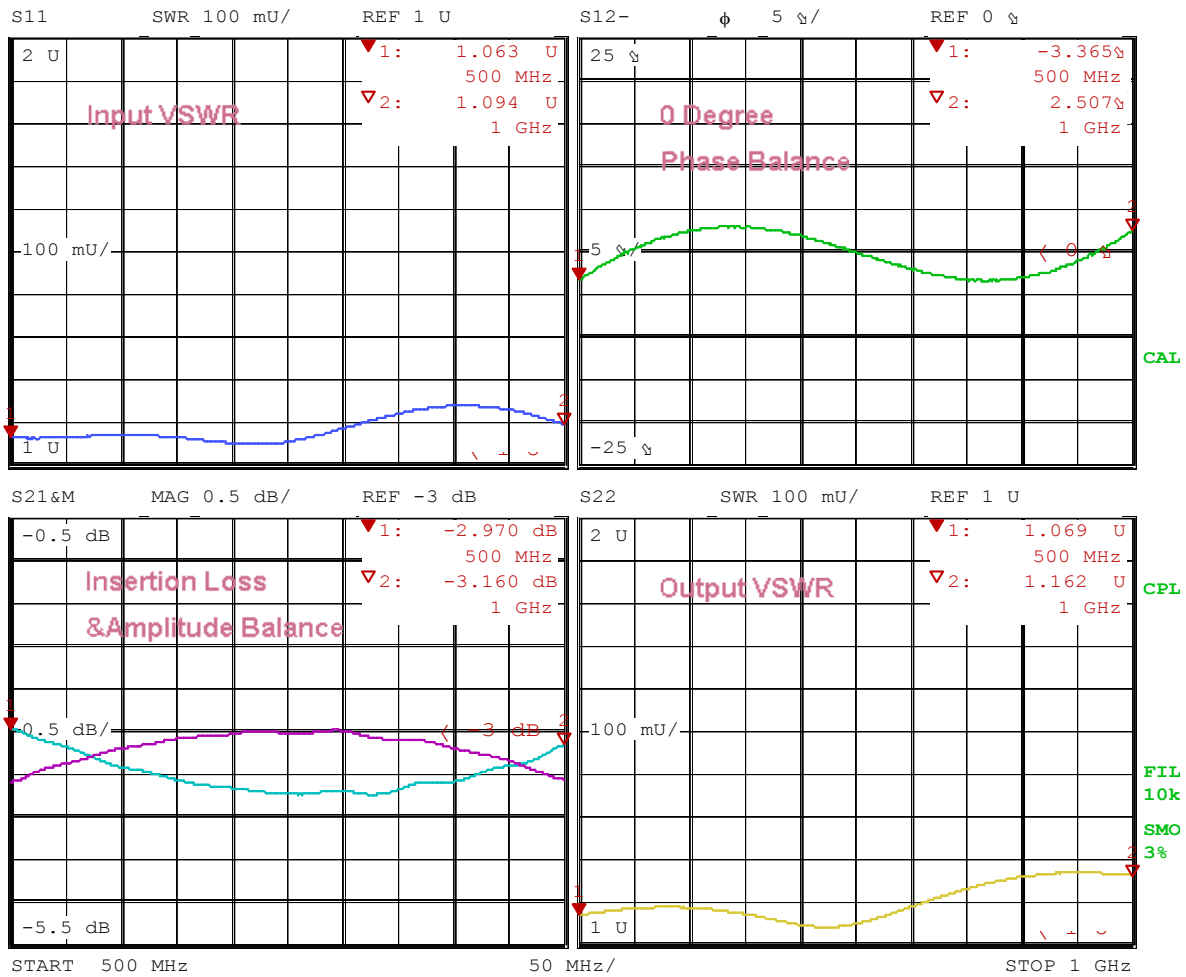
Technical Data Sheet			
Frequency Range	0.5~1.0GHz	Finish	Painted Blue_ RAL #5007
Nominal Split	3.01dB	Connector Body	Passivated Stainless Steel
Insertion Loss	≤0.4dB	Housing	Aluminum, 6061 T6 Clear Chem Conversion Film
Isolation	≥22dB		
Amplitude Balance	≤±0.5dB	Connector Pin	Beryllium Copper, Gold Plate
Phase Balance	≤±5°	Solder	Lead Free, RoHS Compliant
VSWR	≤1.20:1	Operating Temperature	-55~+85°C
<sup>1</sup> Power Handling	Average ≤50Watt Peak ≤1KW	Operating Humidity	Up to 95%, Non- Condensing
Impedance	50Ω	Weight	100g
Port Connectors	SMA-Female		

<sup>1</sup>Power Handling guaranteed when load's VSWR within 1.50:1.



## Typical Performance

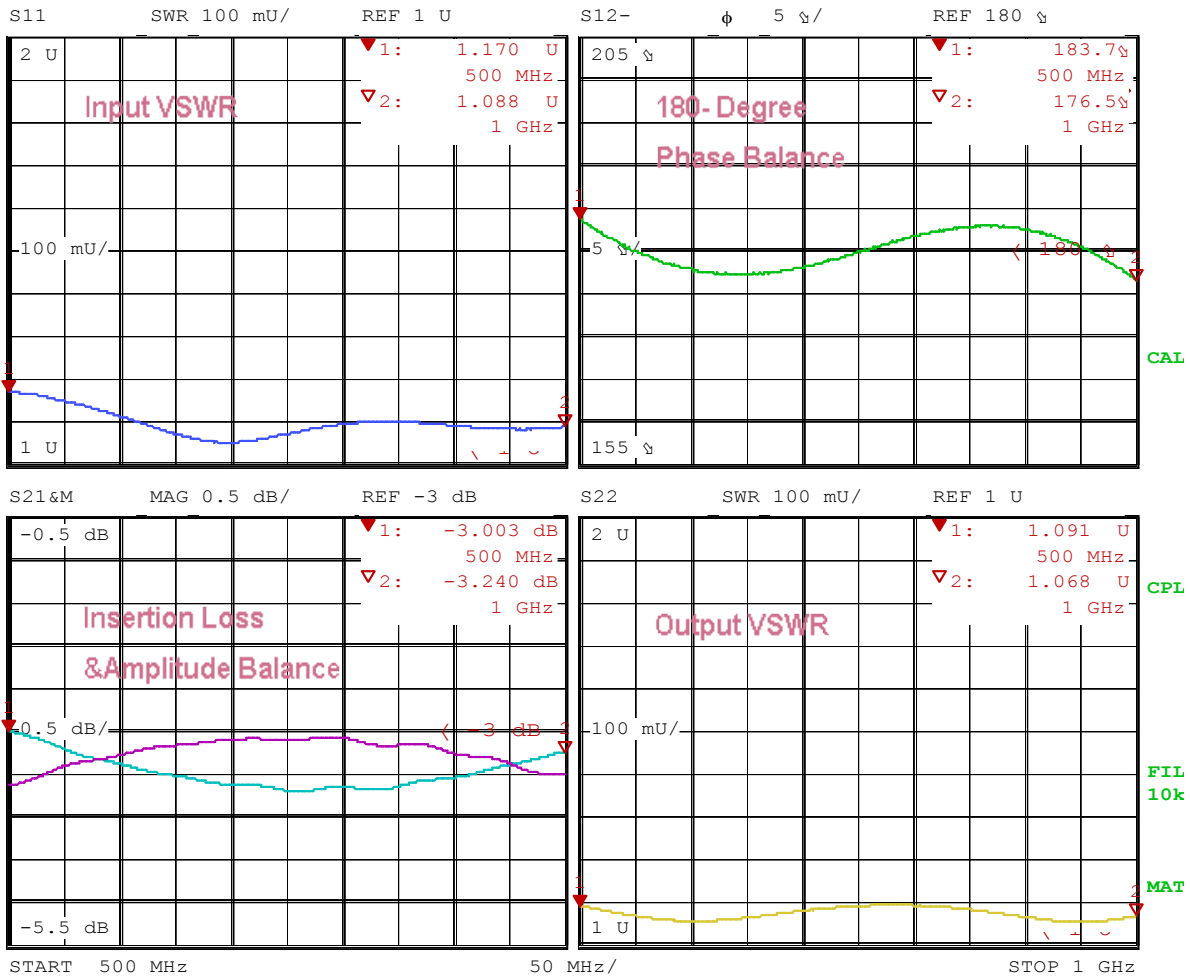
### 1. Insertion Loss, Amplitude & Phase Balance, VSWR<sub>-0°</sub>



Date: 16.JAN.17 13:19:33



2. Insertion Loss, Amplitude/ Phase Balance, VSWR \_ 180°



3. Isolation

