

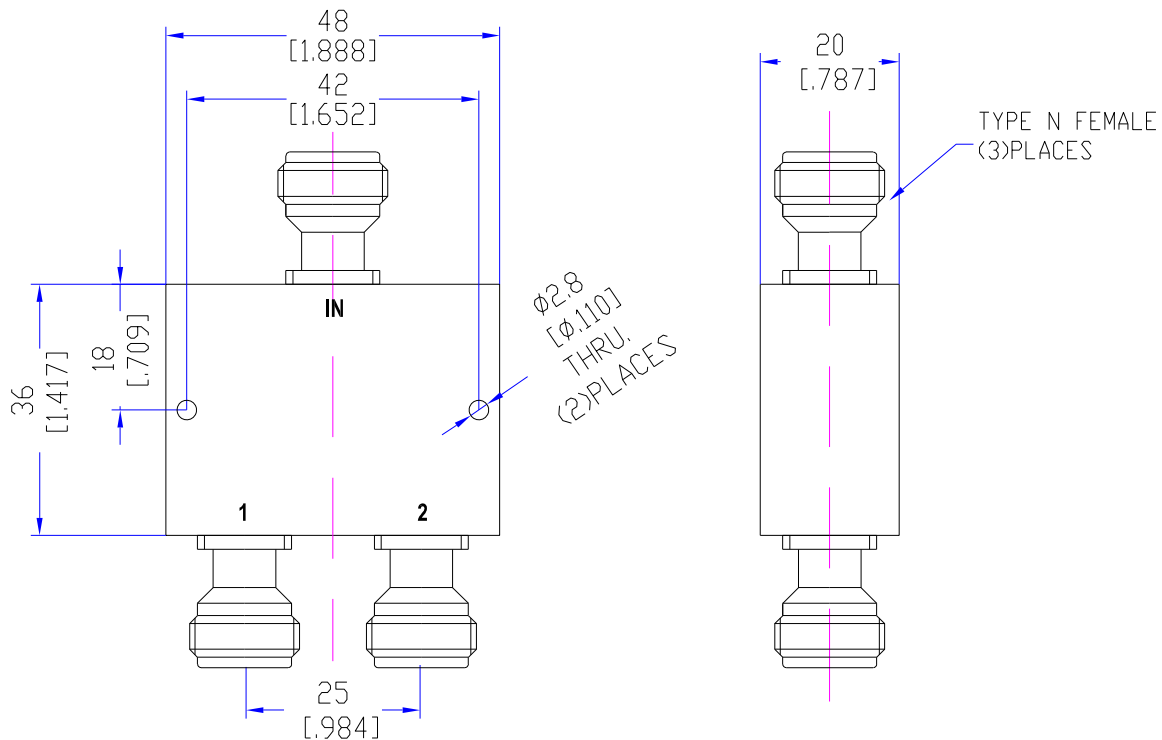
## Model TPD40120N2H

### Features

Excellent phase& amplitude balance  
 Low Insertion Loss& VSWR  
 High Isolation

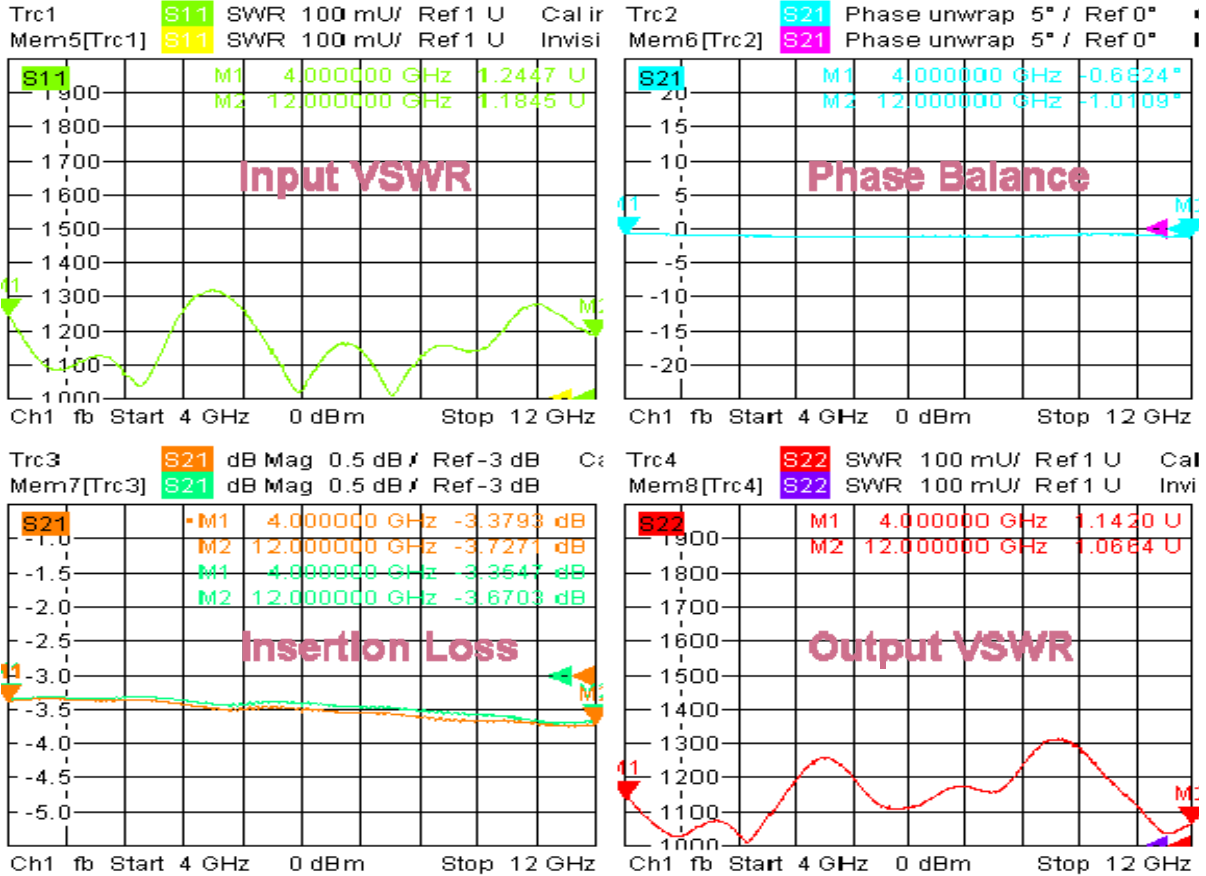
Technical Data Sheet			
Frequency Range	4~12GHz	Finish	Painted Blue_ RAL #5007
Insertion Loss	≤1.0dB (Above 3.01dB Split)	Connector Body	Passivated Stainless Steel
VSWR	Input ≤1.40:1 Output ≤1.40:1	Housing	Aluminum, 6061 T6 Clear Chem Conversion Film
Isolation	≥18dB	Connector Pin	Beryllium Copper, Gold Plate
Amplitude Balance	≤0.5dB	Solder	Lead Free, RoHS Compliant
Phase Balance	≤5°	Operating Temperature	-55~+85°C
<sup>1</sup> Power Handling	Forward ≤35Watt; Reversed ≤1Watt	Operating Humidity	Up to 95%, Non- Condensing
Impedance	50Ω	Weight	140g
Port Connectors	N-Female		

<sup>1</sup>Power Handling guaranteed when load's VSWR within 1.50:1.



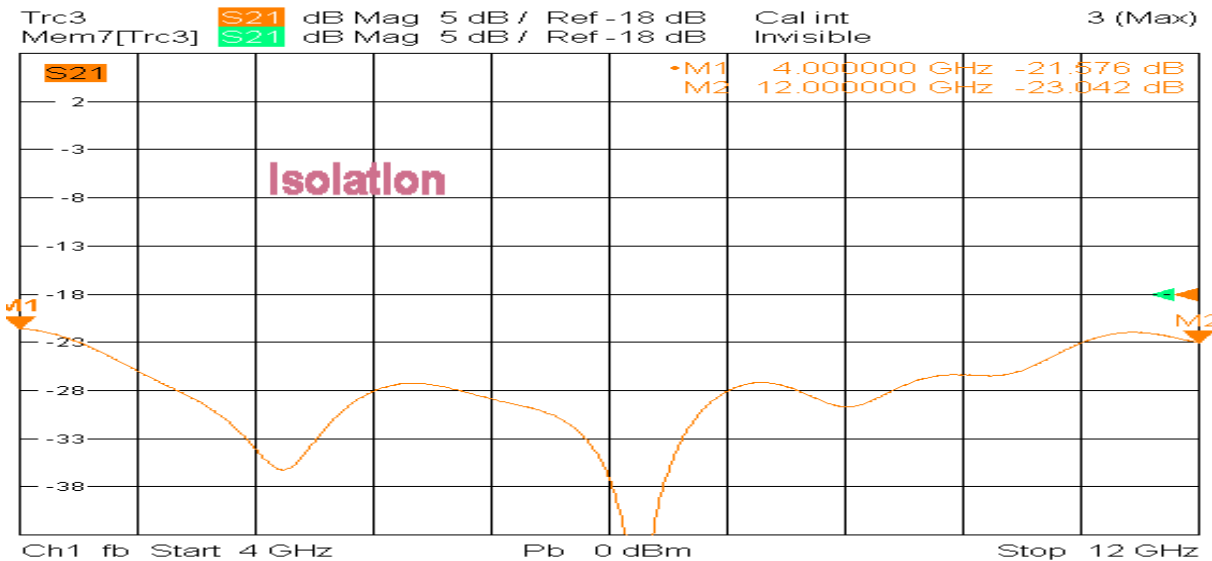
## Typical Performance

### 1. Insertion Loss, Amplitude & Phase Balance, VSWR



4/28/2019, 11:56 PM

### 2. Insertion Loss



4/28/2019, 11:56 PM

