

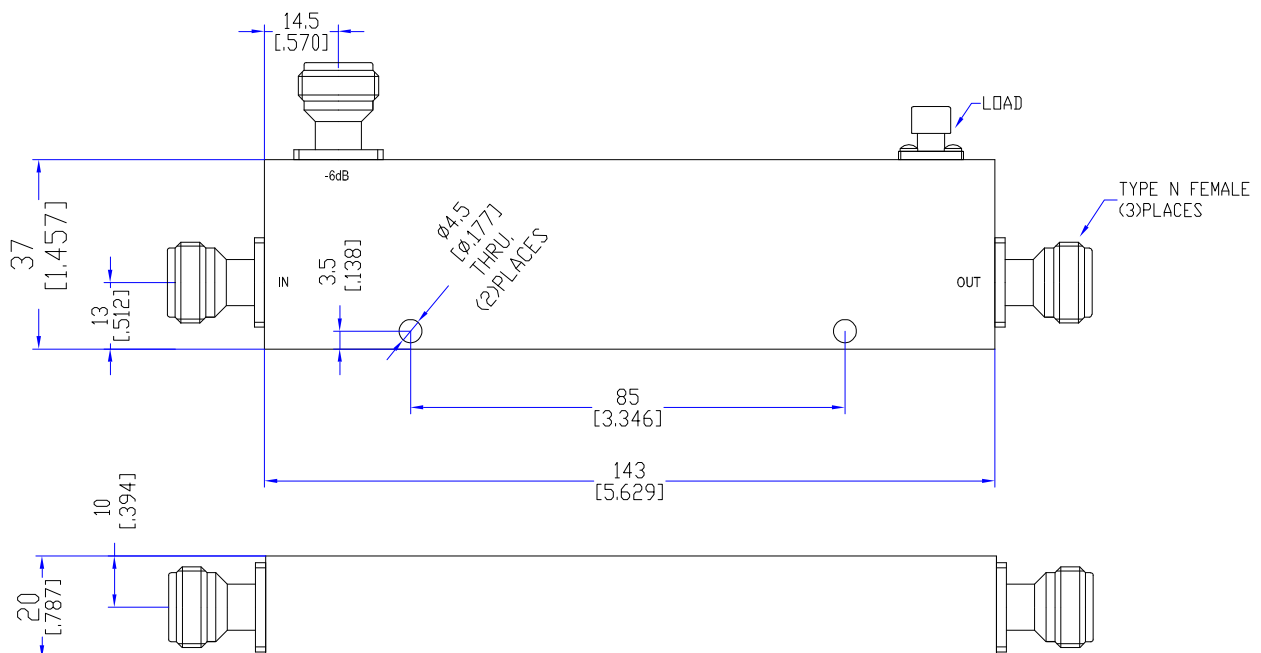
Model TDC0305N6

Features

Low VSWR
High Directivity
Broadband & Miniature Size

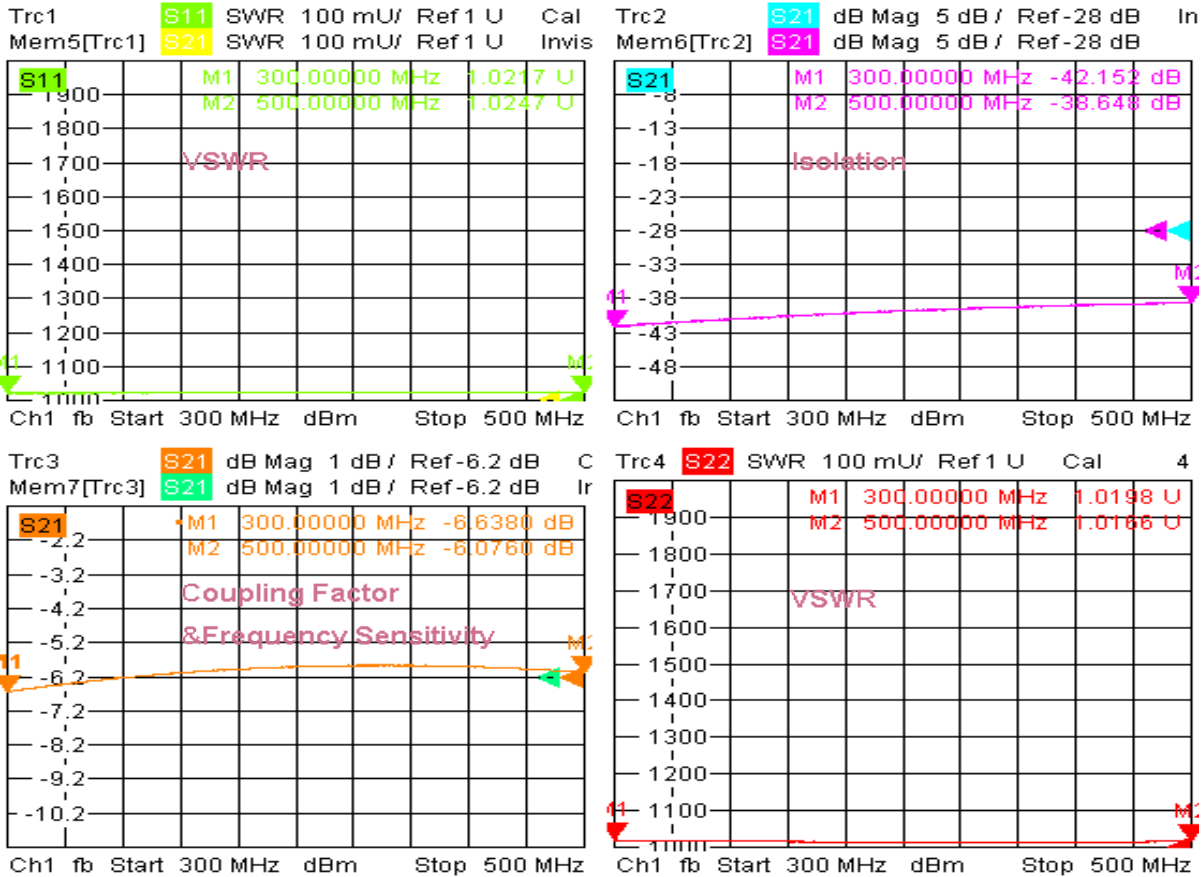
| Technical Data Sheet | | | |
|-----------------------------|---------------------------------------|-----------------------|---|
| Frequency Range | 300~500MHz | Finish | Painted Blue_ RAL #5007 |
| Insertion Loss | ≤0.4dB (Excl. Coupling Loss 1.26dB) | Connector Body | Brass, Tri-Alloy Plate |
| Coupling Factor | ≤6±1.0dB | Housing | Aluminum, 6061 T6 Clear Chem Conversion Film |
| Coupling Sensitivity | ≤±1.0dB | Connector Pin | Beryllium Copper, Gold Plate |
| Directivity | ≥22dB | Solder | Lead Free, RoHS Compliant |
| VSWR | Primary ≤1.20:1 Secondary ≤1.20:1 | Operating Temperature | -40~+85°C |
| ¹ Power Handling | Incident ≤40Watt; Reflected ≤2Watt | Operating Humidity | Up to 95%, Non- Condensing |
| Impedance | 50Ω | Weight | 340g |
| Port Connectors | N-Female | | |

¹Power Handling guaranteed when load's VSWR within 1.50:1.



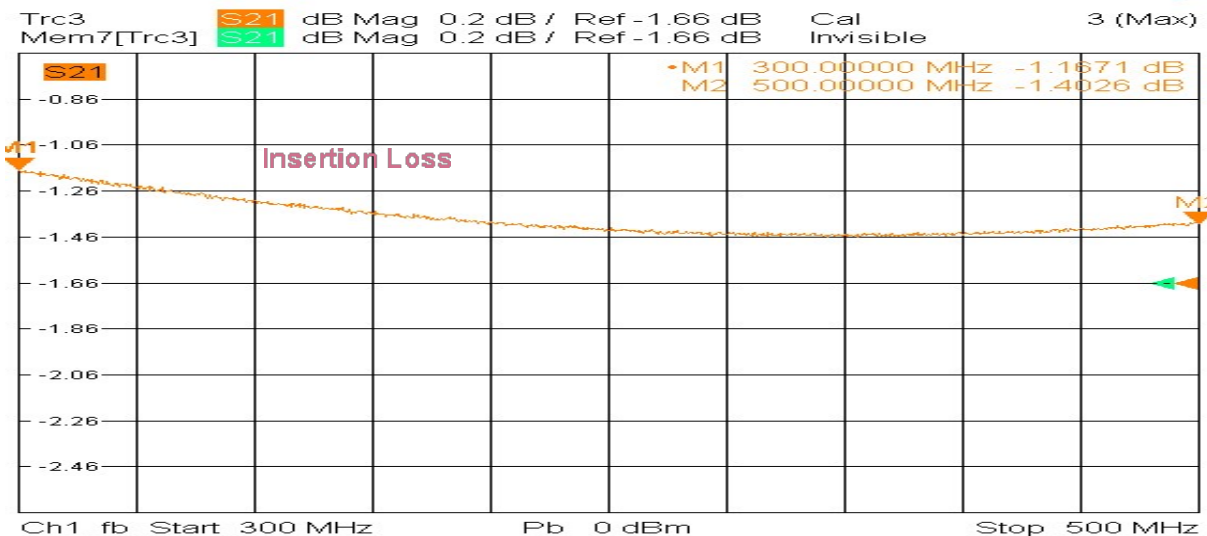
Typical Performance

1. Coupling Factor & Sensitivity, Isolation, VSWR



5/26/2020, 3:09 PM

2. Insertion Loss



5/26/2020, 3:10 PM

