

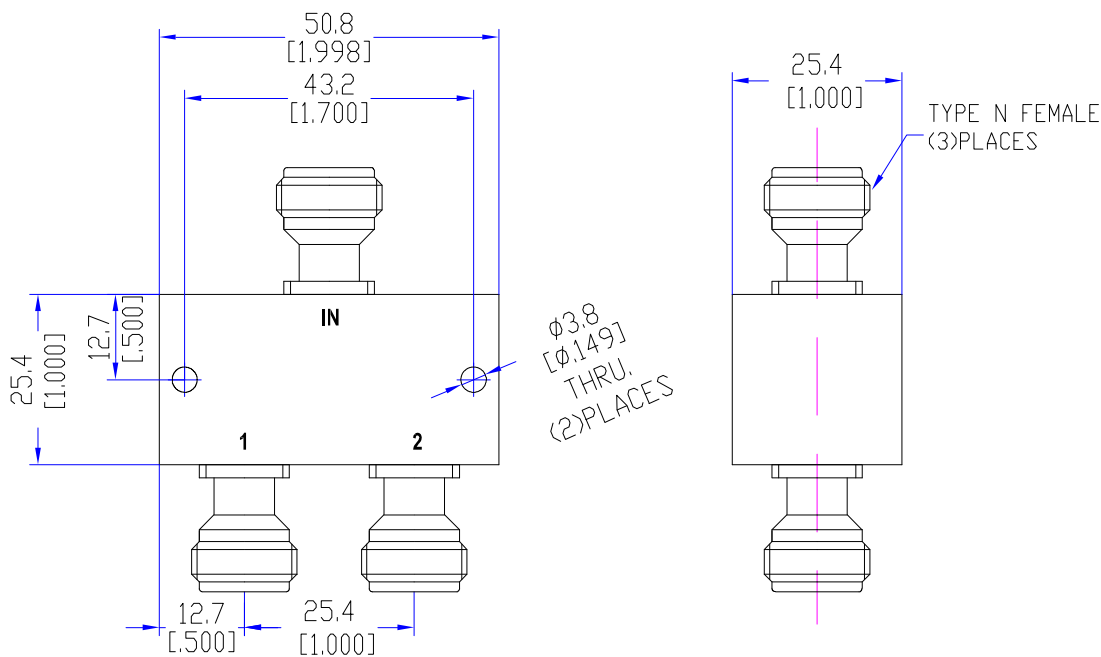
Model TPD70124N2

Features

- Excellent phase& amplitude balance
- Low Insertion Loss& VSWR
- High Isolation

Technical Data Sheet			
Frequency Range	7~12.4GHz	Finish	Painted Blue_ RAL #5007
Insertion Loss	≤0.8dB (Above 3.01dB Split)	Connector Body	Brass, Tri-Alloy Plate
VSWR	Input ≤1.40:1 Output ≤1.40:1	Housing	Aluminum, 6061 T6 Clear Chem Conversion Film
Isolation	≥20dB	Connector Pin	Beryllium Copper, Gold Plate
Amplitude Balance	≤±0.2dB	Solder	Lead Free, RoHS Compliant
Phase Balance	≤±2°	Operating Temperature	-55~+85°C
¹ Power Handling	Forward ≤30Watt; Rev. ≤2Watt each port	Operating Humidity	Up to 95%,Non- Condensing
Impedance	50Ω	Weight	140g
Port Connectors	N-Female		

¹Power Handling guaranteed when load's VSWR within 1.50:1.

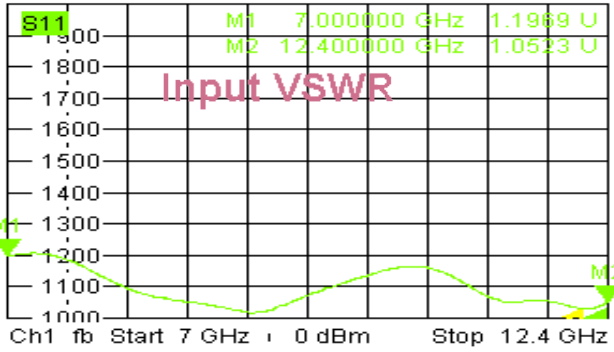


Typical Performance

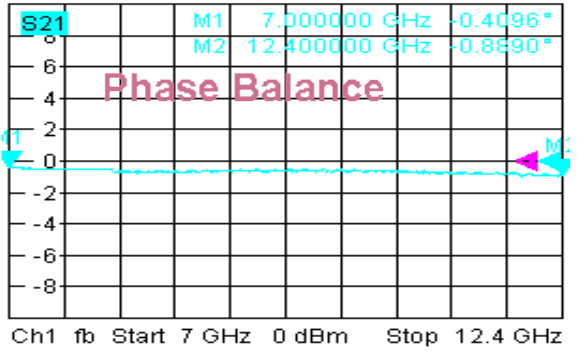
1. Insertion Loss, Amplitude & Phase Balance, VSWR



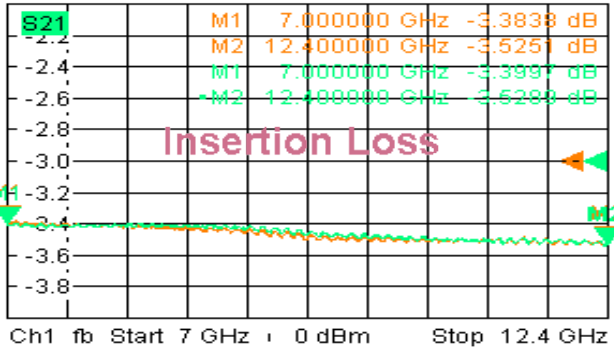
Trc1 Mem5[Trc1] S11 SWR 100 mU/ Ref 1 U Cal
S11 SWR 100 mU/ Ref 1 U Invisib



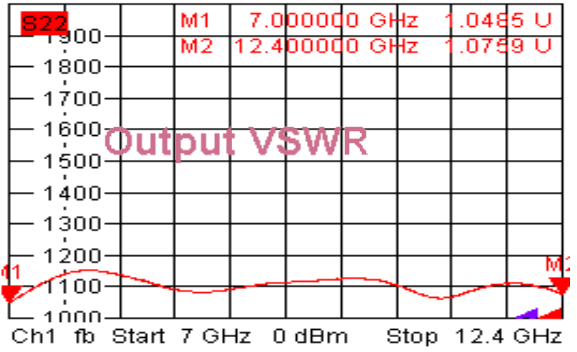
Trc2 Mem6[Trc2] S21 Phase 2° / Ref 0° Cal Mat
S21 Phase 2° / Ref 0° Invisib



Trc3 Mem7[Trc3] S21 dB Mag 0.2 dB / Ref -3 dB Cal
S21 dB Mag 0.2 dB / Ref -3 dB



Trc4 Mem8[Trc4] S22 SWR 100 mU/ Ref 1 U Ca
S22 SWR 100 mU/ Ref 1 U Im

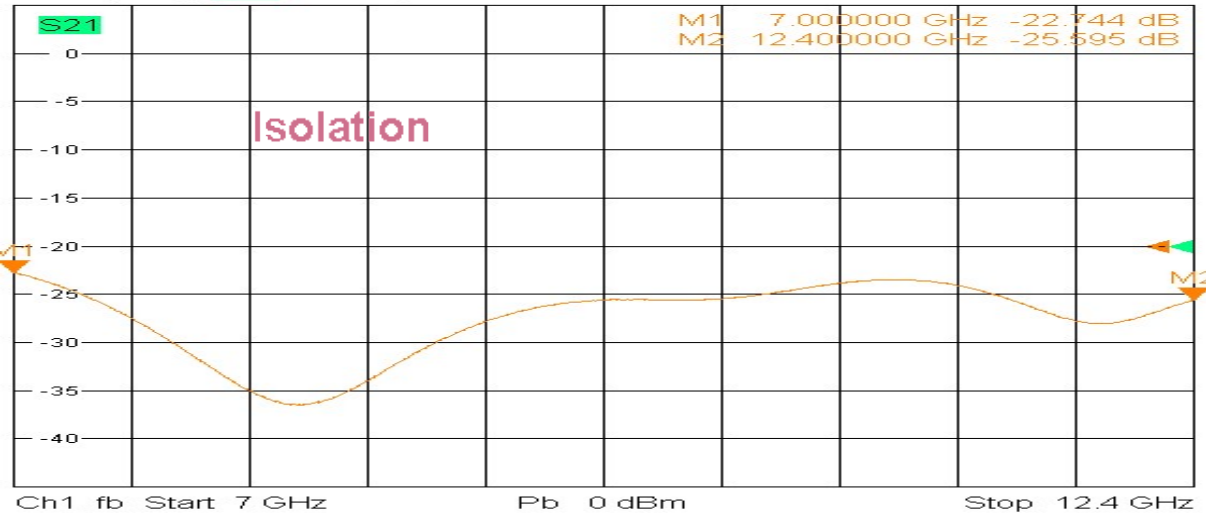


10/17/2018, 6:05 PM

2. Insertion Loss



Trc3 Mem7[Trc3] S21 dB Mag 5 dB / Ref -20 dB Cal 3 (Max)
S21 dB Mag 5 dB / Ref -20 dB Invisible



10/17/2018, 6:14 PM

