

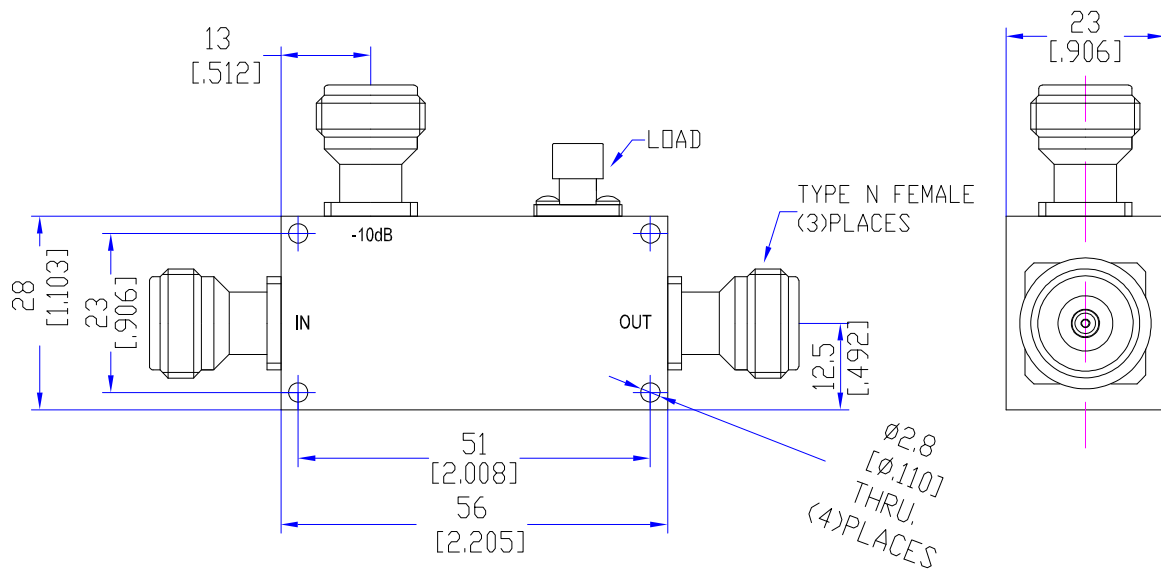
## Model TDC107127N10

### Features

Low VSWR  
High Directivity  
Broadband & Miniature Size

Technical Data Sheet			
Frequency Range	10.7~12.75GHz	Finish	Painted Blue_ RAL #5007
Insertion Loss	≤1.0dB (Excl. Coupling Loss 0.46dB)	Connector Body	Passivated Stainless Steel
Coupling Factor	≤10±0.7dB	Housing	Aluminum, 6061 T6 Clear Chem Conversion Film
Coupling Sensitivity	≤±0.7dB	Connector Pin	Beryllium Copper, Gold Plate
Directivity	≥20dB	Solder	Lead Free, RoHS Compliant
VSWR	Primary ≤1.30:1 Secondary ≤1.30:1	Operating Temperature	-55~+85°C
<sup>1</sup> Power Handling	Incident ≤50Watt; Reflected ≤2Watt	Operating Humidity	Up to 95%, Non- Condensing
Impedance	50Ω	Weight	160g
Port Connectors	N-Female		

<sup>1</sup>Power Handling guaranteed when load's VSWR within 1.50:1.

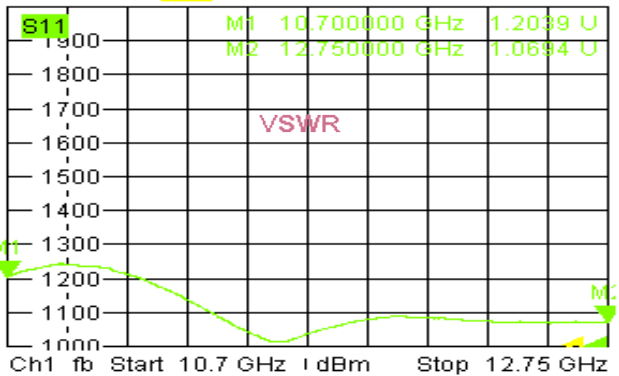


## Typical Performance

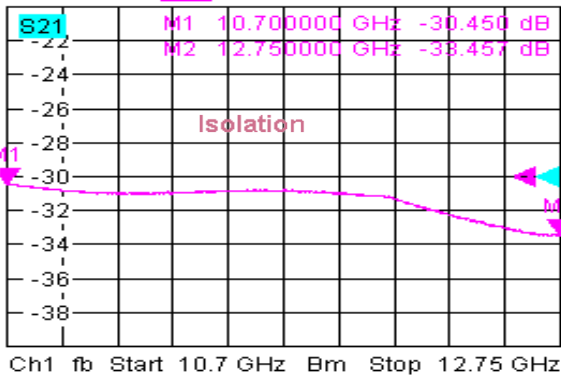
### 1. Coupling Factor & Sensitivity, Isolation, VSWR



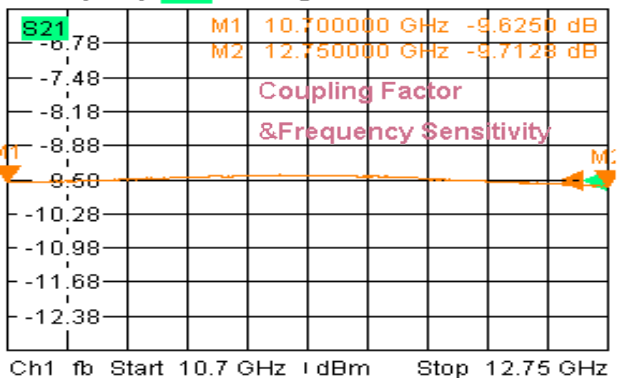
Trc1 Mem5[Trc1] **S11** SWR 100 mU/ Ref 1 U Cal int  
**S21** SWR 100 mU/ Ref 1 U Invisib



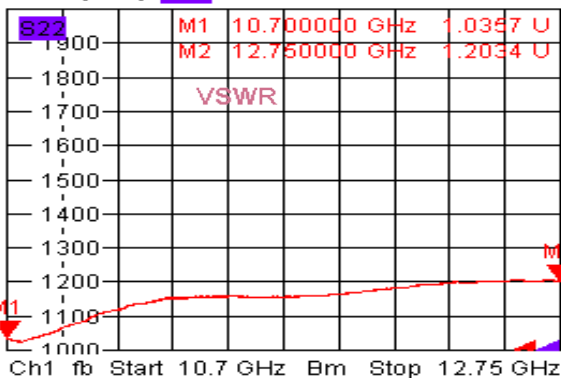
Trc2 Mem6[Trc2] **S21** dB Mag 2 dB / Ref -30 dB  
**S21** dB Mag 2 dB / Ref -30 dB



Trc3 Mem7[Trc3] **S21** dB Mag 0.7 dB / Ref -9.58 dB  
**S21** dB Mag 0.7 dB / Ref -9.58 dB



Trc4 Mem8[Trc4] **S22** SWR 100 mU/ Ref 1 U Ca  
**S22** SWR 100 mU/ Ref 1 U In

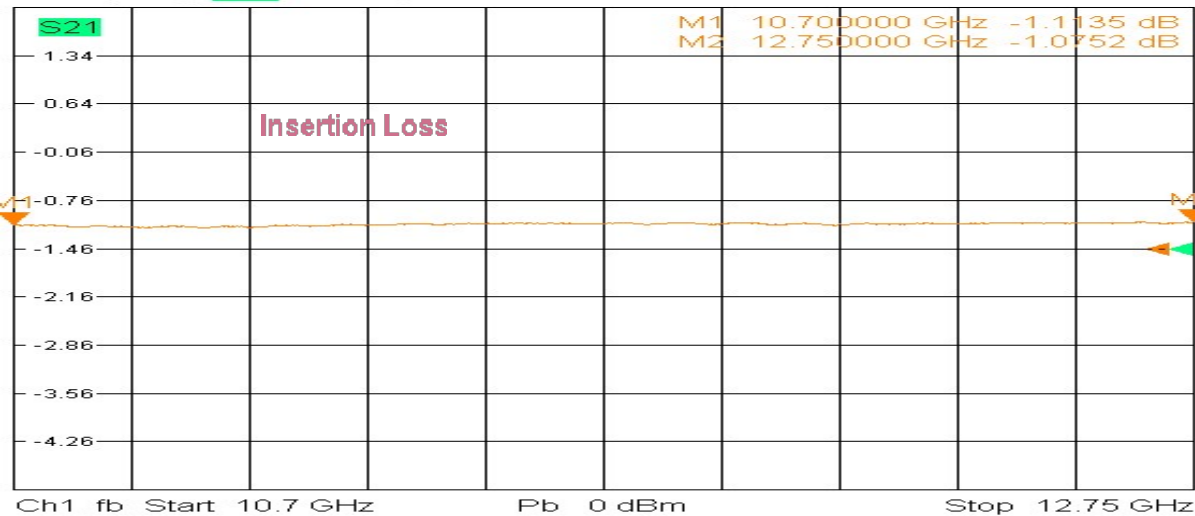


8/28/2018, 4:53 PM

### 2. Insertion Loss



Trc3 Mem7[Trc3] **S21** dB Mag 0.7 dB / Ref -1.46 dB Cal int 3 (Max)  
**S21** dB Mag 0.7 dB / Ref -1.46 dB Invisible



8/28/2018, 4:55 PM

