

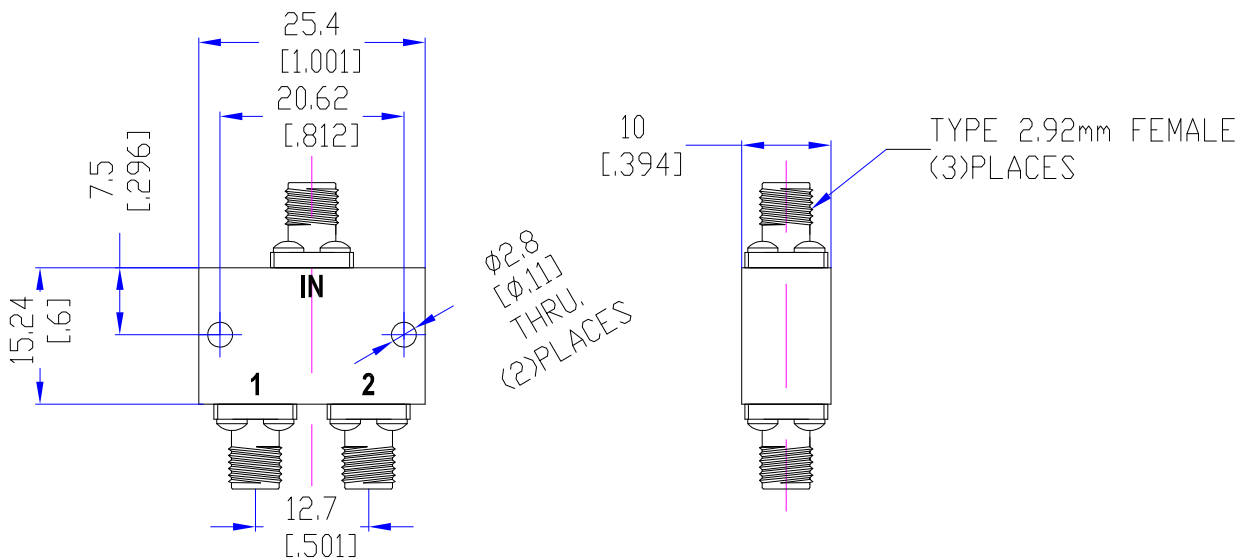
## Model TPD170310A2

### Features

Excellent phase& amplitude balance  
 Low Insertion Loss& VSWR  
 High Isolation

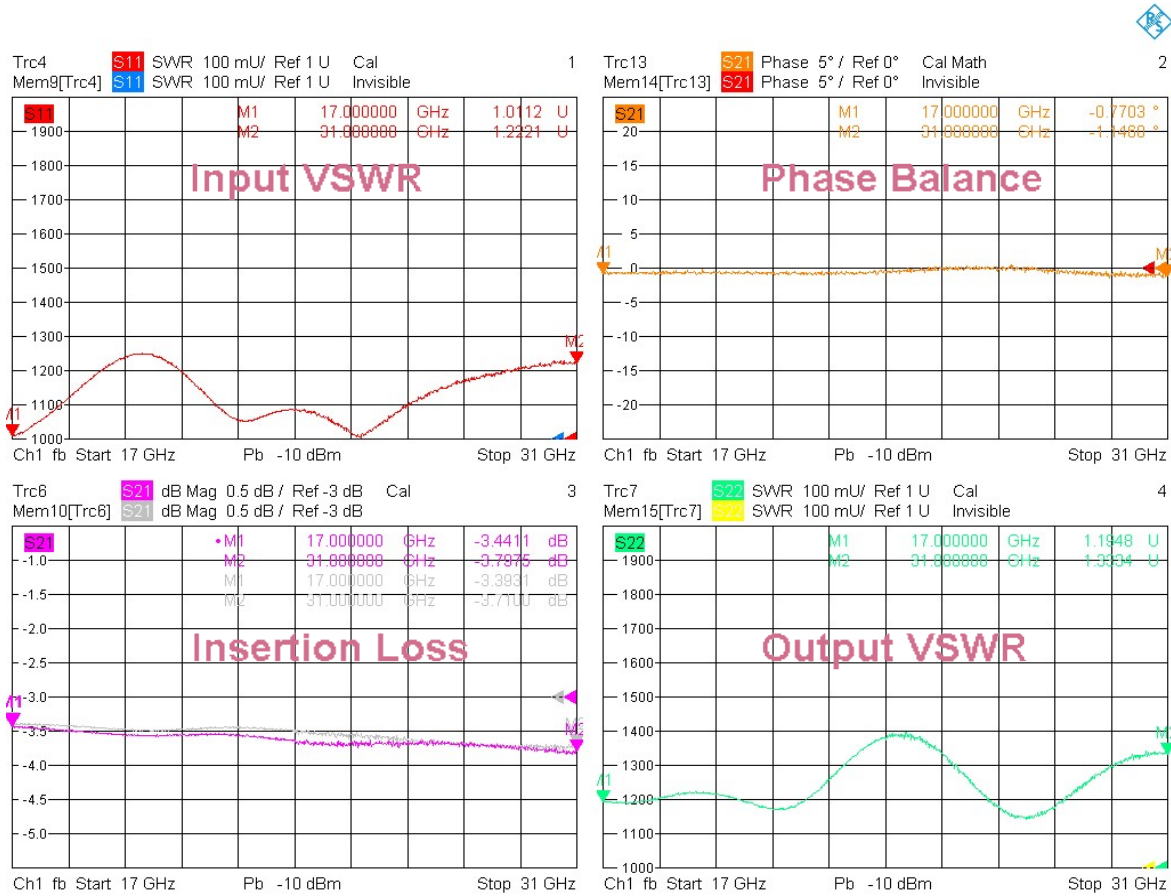
Technical Data Sheet			
Frequency Range	17~31GHz	Finish	Painted Blue_ RAL #5007
Insertion Loss	≤1.3dB (Above 3.01dB Split)	Connector Body	Passivated Stainless Steel
VSWR	Input ≤1.50:1 Output ≤1.50:1	Housing	Aluminum, 6061 T6 Clear Chem Conversion Film
Isolation	≥17dB	Connector Pin	Beryllium Copper, Gold Plate
Amplitude Balance	≤±0.5dB	Solder	Lead Free, RoHS Compliant
Phase Balance	≤±5°	Operating Temperature	-55~+85°C
<sup>1</sup> Power Handling	Forward ≤10Watt; Reversed ≤1Watt	Operating Humidity	Up to 95%,Non- Condensing
Impedance	50Ω	Weight	25g
Port Connectors	2.92mm-Female		

<sup>1</sup>Power Handling guaranteed when load's VSWR within 1.50:1.



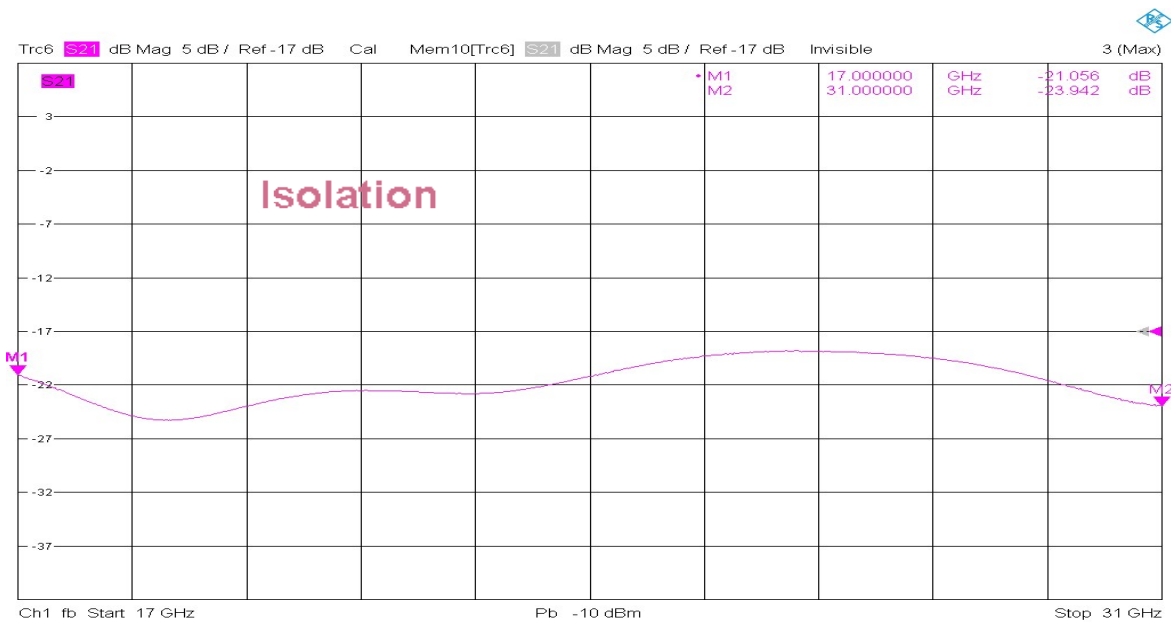
## Typical Performance

### 1. Insertion Loss, Amplitude &Phase Balance, VSWR



4/25/2021, 6:13 PM

### 2. Isolation



4/25/2021, 6:14 PM

