

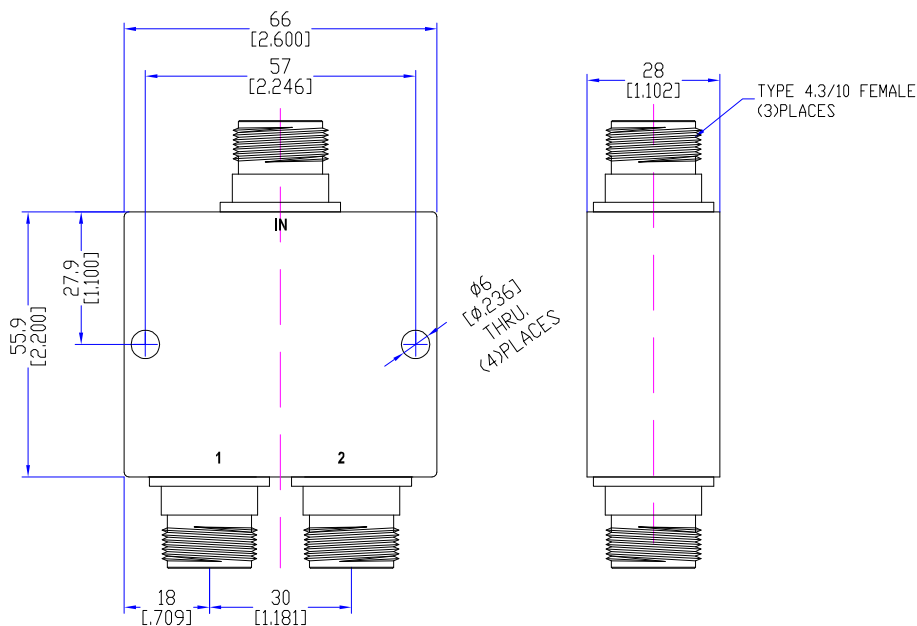
## Model TPD2342D2

### Features

Excellent phase & amplitude balance  
 Low Insertion Loss & VSWR  
 High Isolation

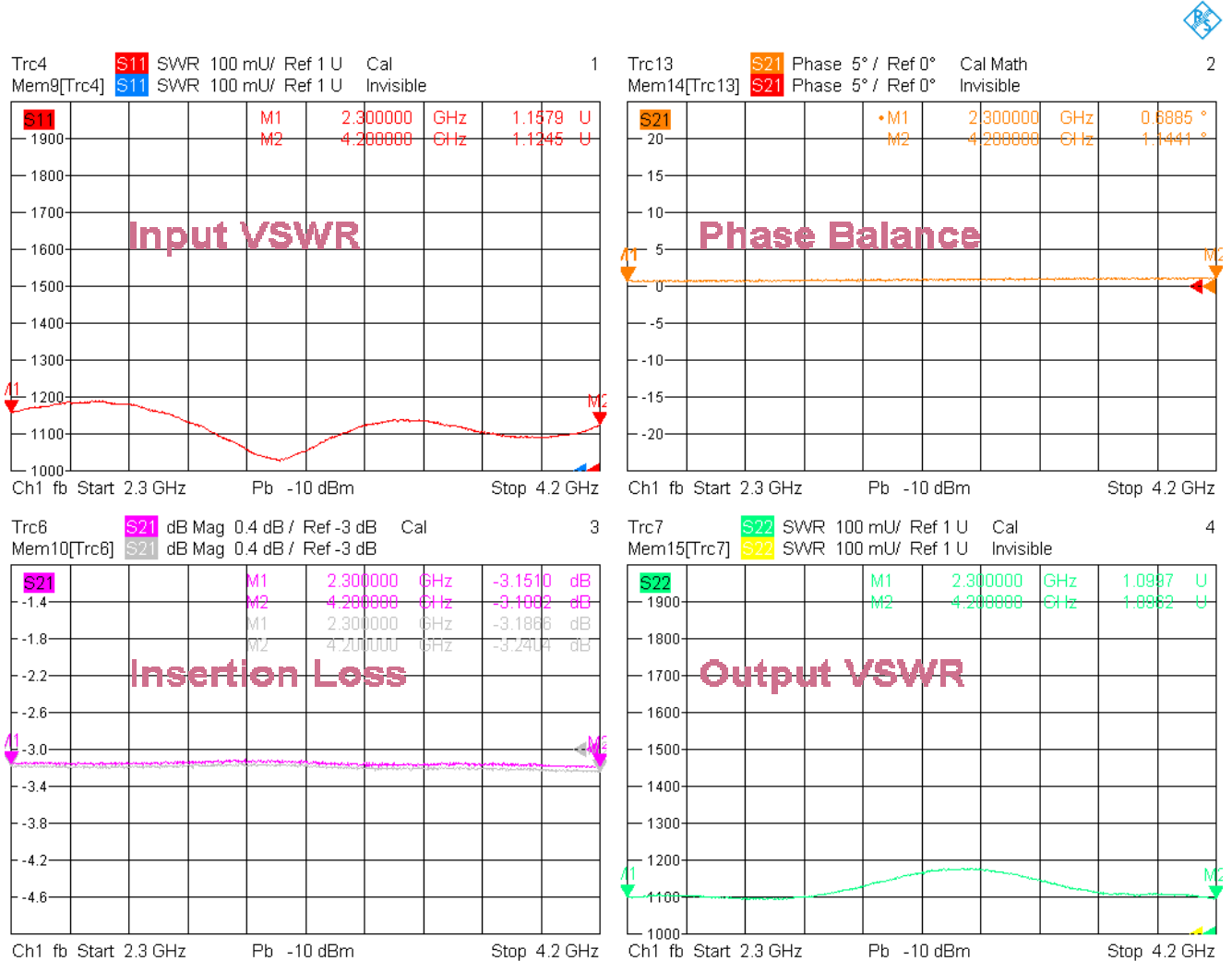
Technical Data Sheet			
Frequency Range	2.3~4.2GHz	Finish	Natural oxygen
Insertion Loss	≤0.8dB (Above 3.01dB Split)	Connector Body	Brass, Tri-Alloy Plate
VSWR	Input ≤1.40:1 Output ≤1.40:1	Housing	Aluminum, 6061 T6 Clear Chem Conversion Film
Isolation	≥16dB	Connector Pin	Beryllium Copper, Gold Plate
Amplitude Balance	≤±0.4dB	Solder	Lead Free, RoHS Compliant
Phase Balance	≤±5°	Operating Temperature	-55~+85°C
<sup>1</sup> Power Handling	Forward ≤20Watt; Reversed ≤2Watt Each Port, Inphase Signals	Operating Humidity	Up to 95%, Non-Condensing
Impedance	50Ω	Weight	160g
Port Connectors	4.3/10-Female		

<sup>1</sup>Power Handling guaranteed when load's VSWR within 1.50:1.



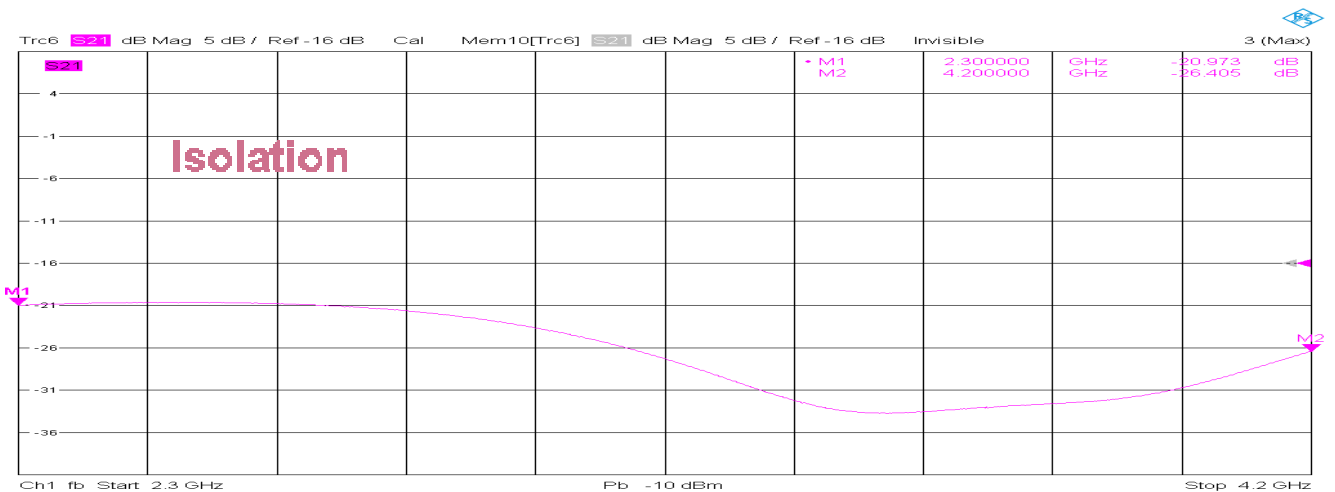
## Typical Performance

### 1. Insertion Loss, Amplitude &Phase Balance, VSWR



12/15/2022, 11:13 AM

### 2. Isolation



12/15/2022, 11:14 AM

