

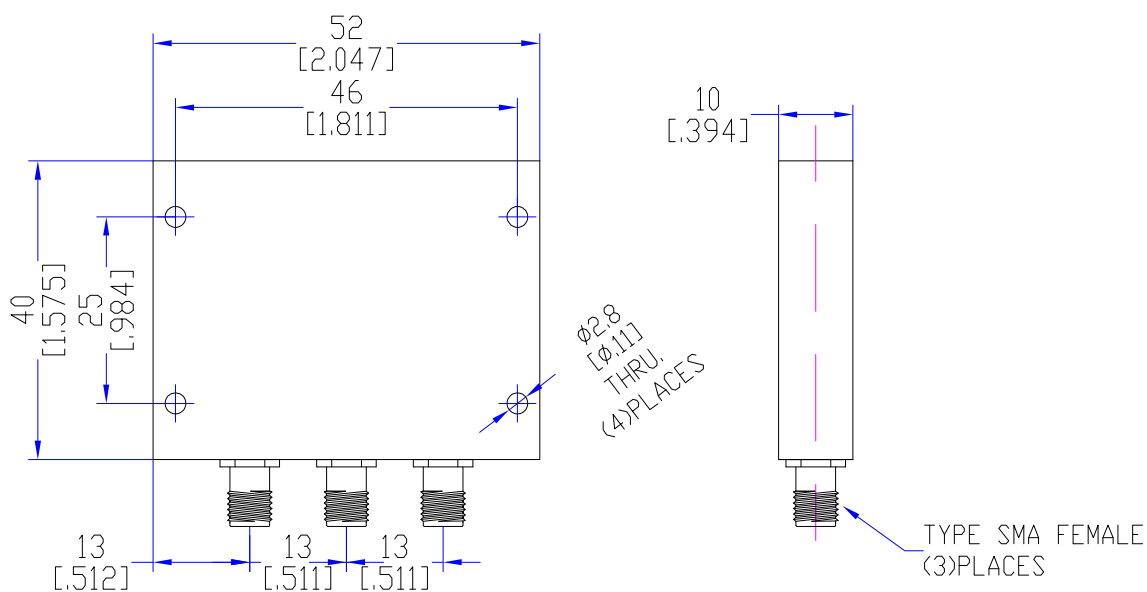
## Model TPD2360A2CH

### Features

Excellent phase& amplitude balance  
Low Insertion Loss& VSWR  
High Isolation

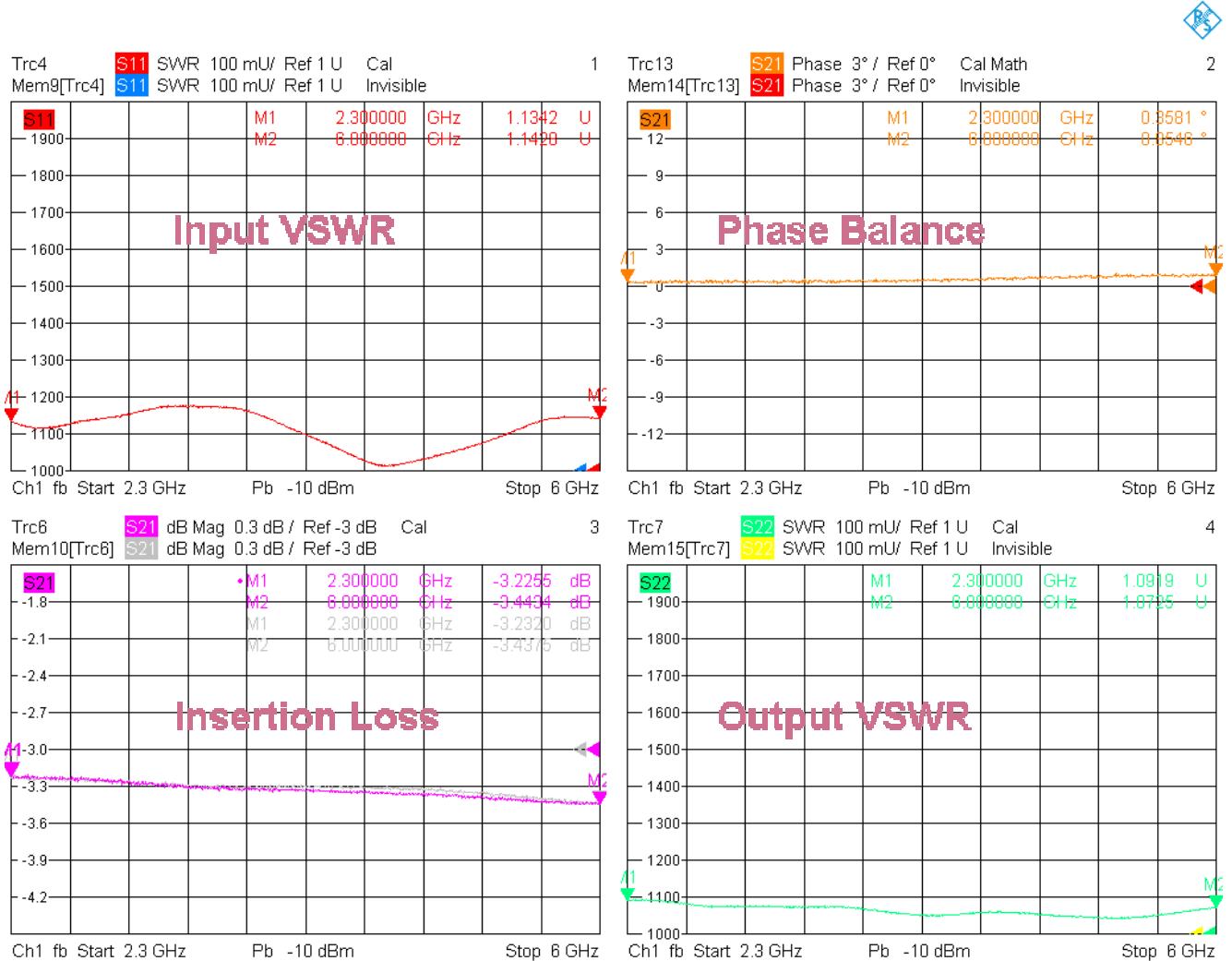
| Technical Data Sheet        |  |                       |   |
|-----------------------------|--|-----------------------|---|
| Frequency Range             | 2.3~6GHz   | Finish                | Natural oxygen                                  |
| Insertion Loss              | ≤0.8dB<br>(Above 3.01dB Split)                             | Connector Body        | Brass, Tri-Alloy Plate                          |
| VSWR                        | Input ≤1.40:1<br>Output ≤1.30:1                            | Housing               | Aluminum, 6061 T6<br>Clear Chem Conversion Film |
| Isolation                   | ≥18dB  | Connector Pin         | Beryllium Copper, Gold Plate                    |
| Amplitude Balance           | ≤±0.3dB  | Solder                | Lead Free, RoHS Compliant                       |
| Phase Balance               | ≤±3°   | Operating Temperature | -55~+85°C                                       |
| <sup>1</sup> Power Handling | Forward ≤30Watt;<br>Reversed ≤16Watt<br>(Each port ≤8Watt) | Operating Humidity    | Up to 95%,Non- Condensing                       |
| Impedance                   | 50Ω  | Weight                | 30g   |
| Port Connectors             | SMA-Female   |                       |   |

<sup>1</sup>Power Handling guaranteed when load's VSWR within 1.50:1.



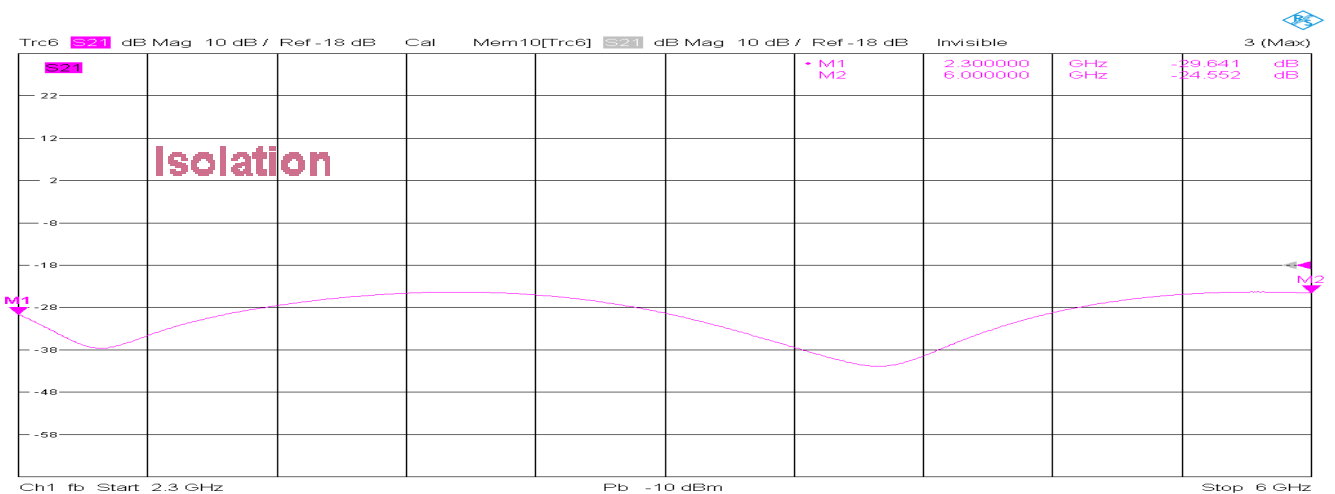
## Typical Performance

### 1. Insertion Loss, Amplitude & Phase Balance, VSWR



1/15/2023, 1:18 PM

### 2. Isolation



1/15/2023, 1:19 PM

