

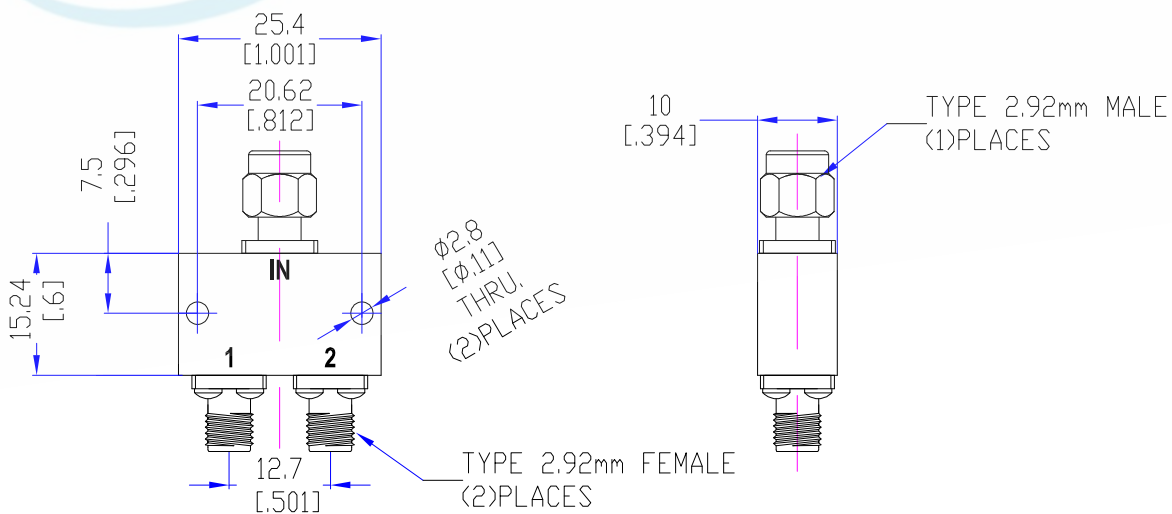
Model TPD00400A2TM

Features

Excellent phase & amplitude balance
 Low Insertion Loss & VSWR
 High Isolation

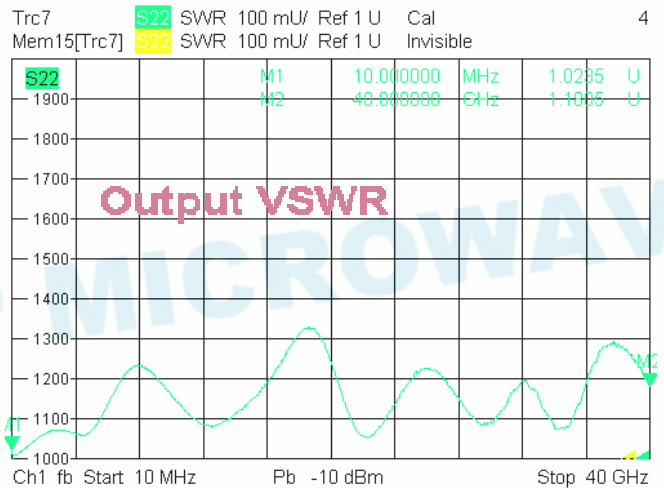
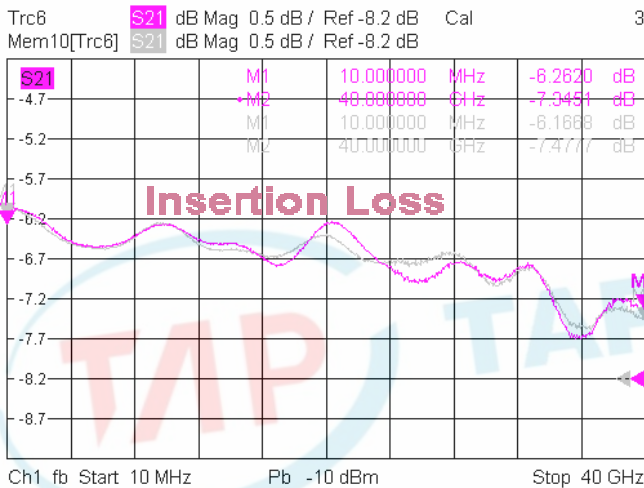
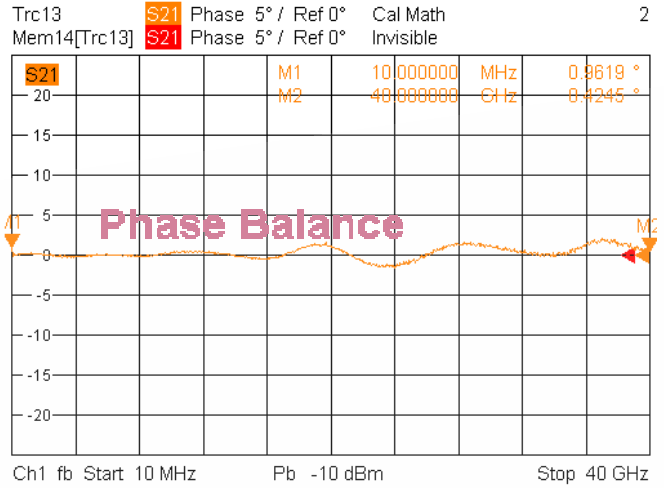
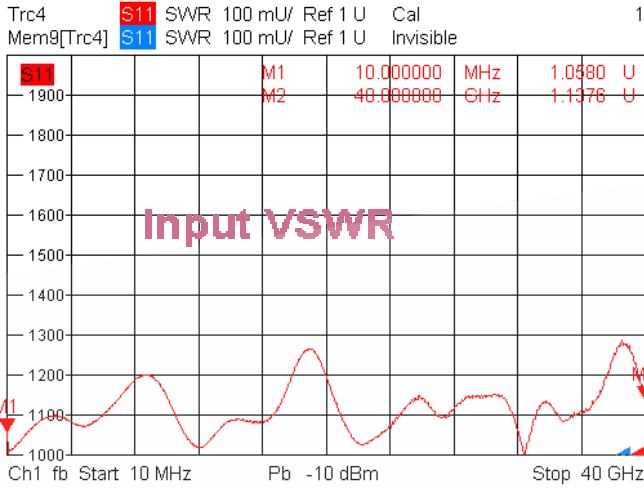
Technical Data Sheet			
Frequency Range	DC~40GHz	Finish	Painted Blue_ RAL #5007
Insertion Loss	≤2.4dB (Above 6.02dB Split)	Connector Body	Passivated Stainless Steel
VSWR	Input ≤1.60:1 Output ≤1.50:1	Housing	Aluminum, 6061 T6 Clear Chem Conversion Film
Isolation	-----	Connector Pin	Beryllium Copper, Gold Plate
Amplitude Balance	≤±0.5dB	Solder	Lead Free, RoHS Compliant
Phase Balance	≤±5°	Operating Temperature	-55~+85°C
¹ Power Handling	Forward ≤0.1Watt; Reversed ≤0.1Watt	Operating Humidity	Up to 95%, Non-Condensing
Impedance	50Ω	Weight	20g
Port Connectors	Input: 2.92mm-Male Output: 2.92mm-Female		

¹Power Handling guaranteed when load's VSWR within 1.50:1.



Typical Performance

1. Insertion Loss, Amplitude & Phase Balance, VSWR



2/16/2023, 11:30 AM

