

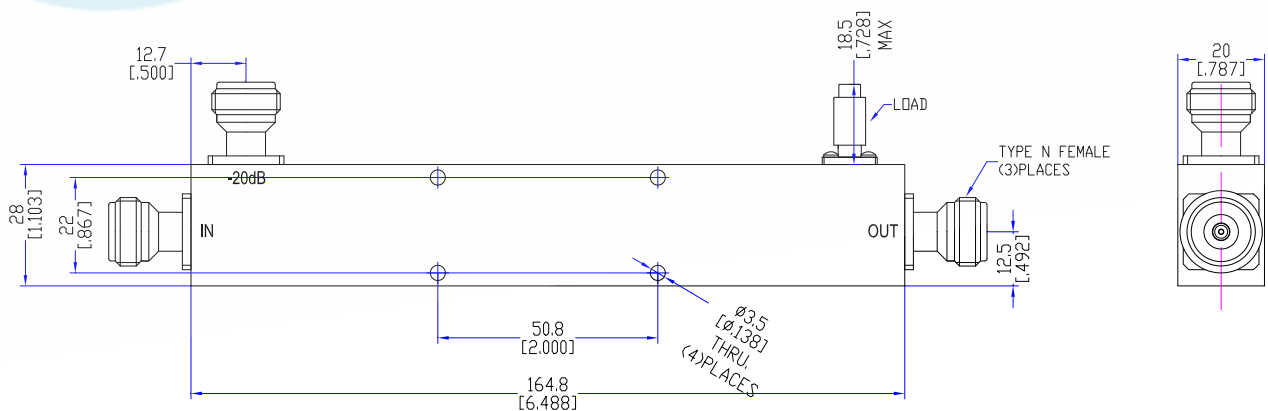
Model TDC0210N20

Features

Low VSWR
High Directivity
Broadband & Miniature Size

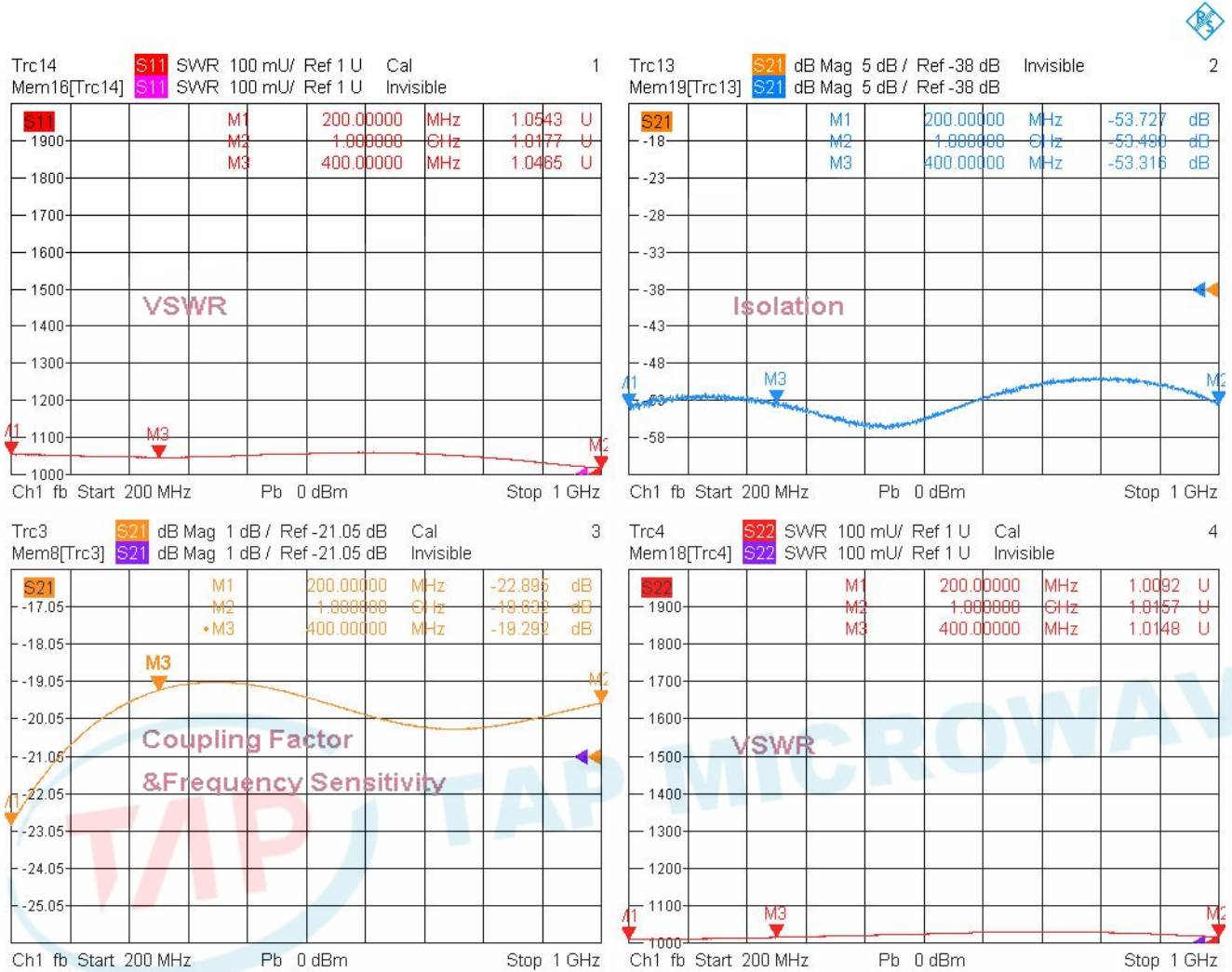
Technical Data Sheet			
Frequency Range	0.2~1.0GHz	Finish	Painted Blue_ RAL #5007
Insertion Loss	≤0.6dB (Excl. Coupling Loss 0.04dB)	Connector Body	Passivated Stainless Steel
Coupling Factor	≤22±3.0dB@0.2-0.4GHz ≤20±1.0dB@0.4-1GHz	Housing	Aluminum, 6061 T6 Clear Chem Conversion Film
Coupling Sensitivity	±2.0dB@0.2-0.4GHz ±1.0dB@0.4-1GHz	Connector Pin	Beryllium Copper, Gold Plate
Directivity	≥18dB	Solder	Lead Free, RoHS Compliant
VSWR	Primary ≤1.20:1 Secondary ≤1.20:1	Operating Temperature	-55~+85°C
¹ Power Handling	Incident ≤30Watt; Reflected ≤2Watt	Operating Humidity	Up to 95%, Non- Condensing
Impedance	50Ω	Weight	210g
Port Connectors	N-Female		

¹Power Handling guaranteed when load's VSWR within 1.50:1.



Typical Performance

1. Coupling Factor & Sensitivity, Isolation, VSWR

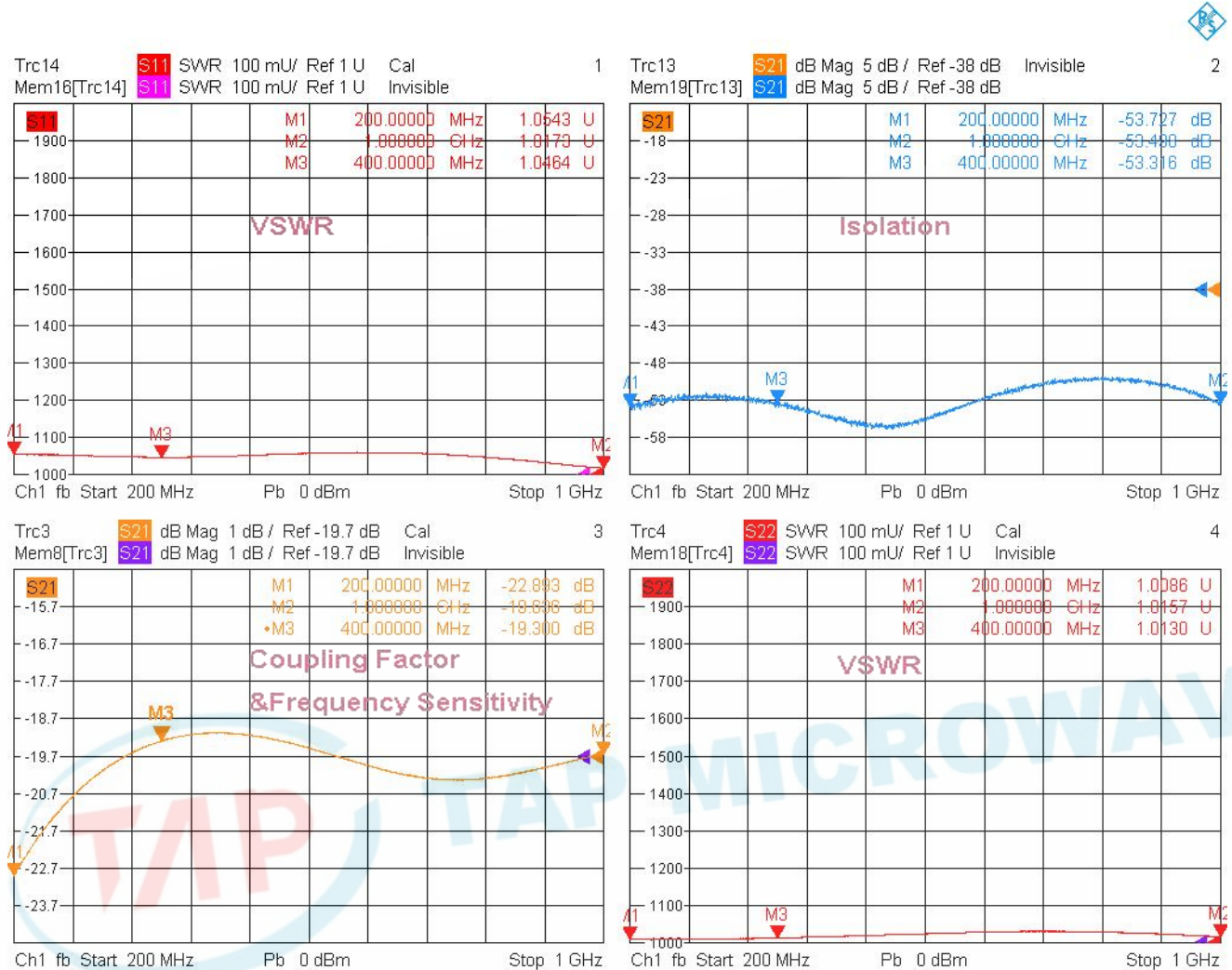


5/13/2024, 3:27 PM



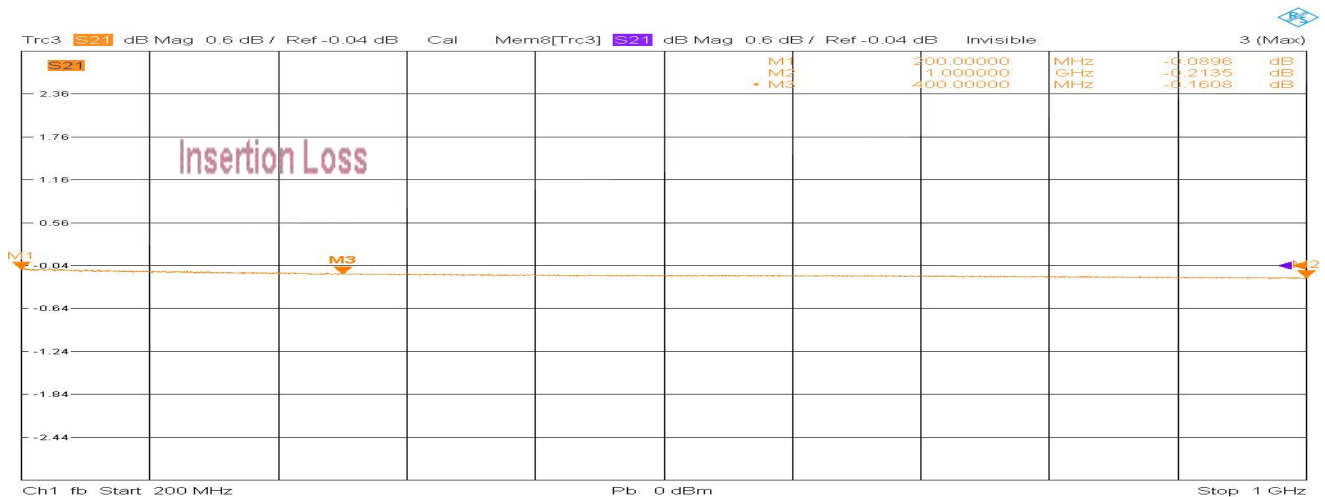
Typical Performance

2. Coupling Factor & Sensitivity, Isolation, VSWR



5/13/2024, 3:25 PM

3. Insertion Loss



5/13/2024, 3:32 PM

