

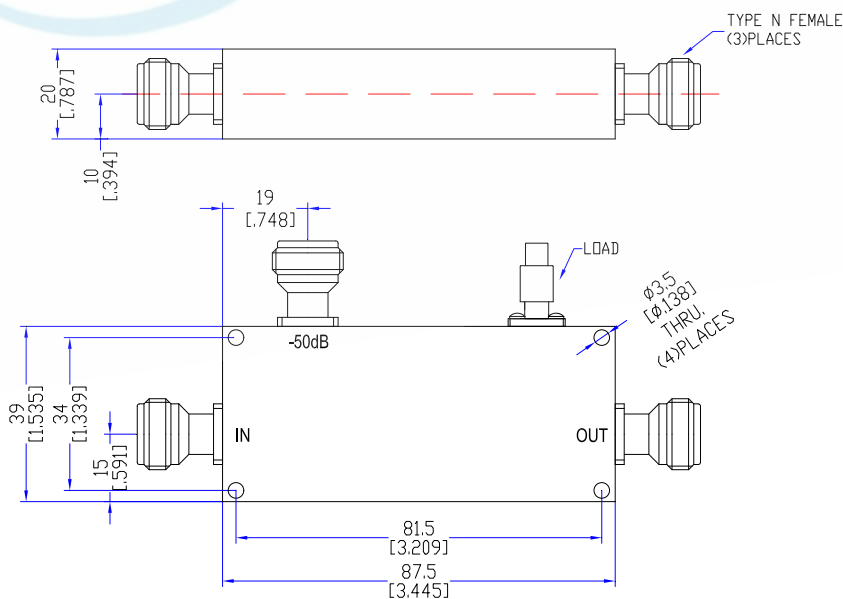
## Model TDC1117H50

### Features

- Low VSWR
- High Directivity
- Broadband & Miniature Size

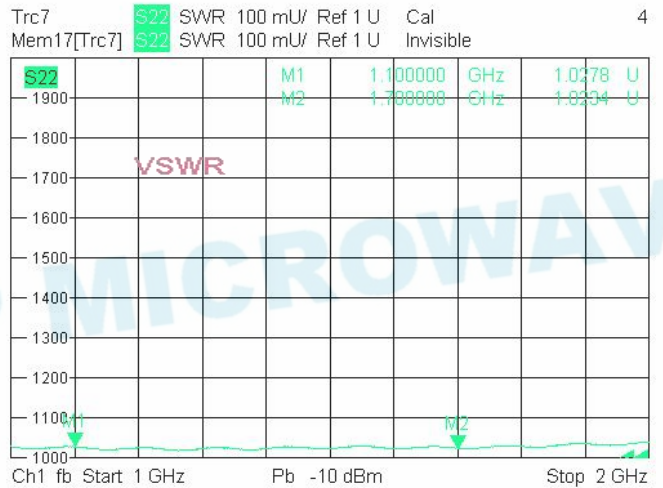
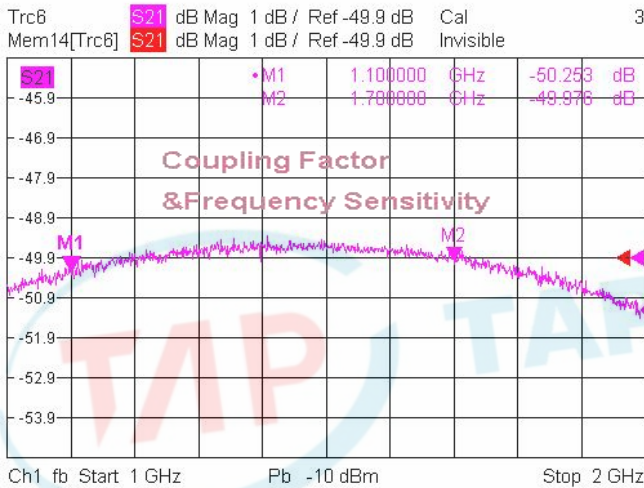
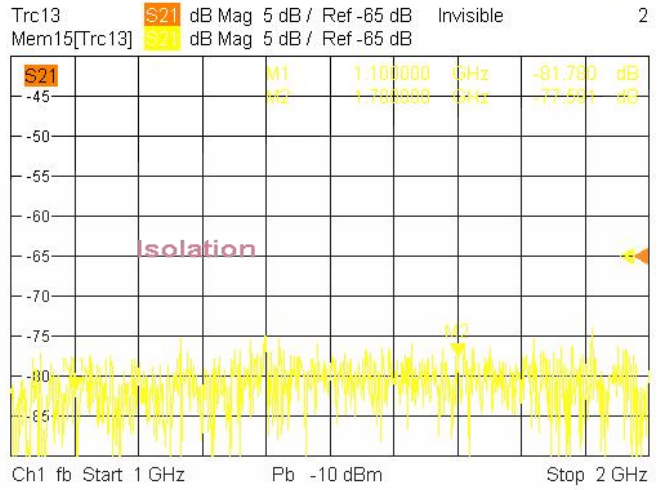
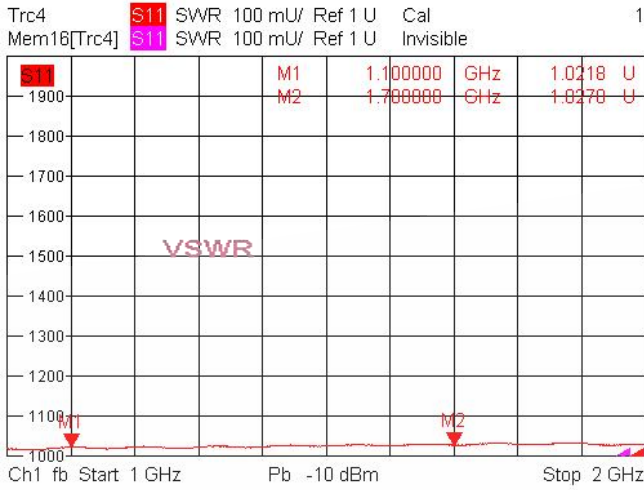
Technical Data Sheet			
Frequency Range	1.1~1.7GHz	Finish	Painted Blue_ RAL #5007
Insertion Loss	≤0.25dB (Excl. Coupling Loss 0.01dB)	Connector Body	Brass, Tri-Alloy Plate
Coupling Factor	≤50±1.0dB	Housing	Aluminum, 6061 T6 Clear Chem Conversion Film
Coupling Sensitivity	≤±1.0dB	Connector Pin	Beryllium Copper, Gold Plate
Directivity	≥15dB	Solder	Lead Free, RoHS Compliant
VSWR	Primary ≤1.30:1 Secondary ≤1.30:1	Operating Temperature	-55~+85°C
<sup>1</sup> Power Handling	Incident ≤400Watt; Reflected ≤400Watt	Operating Humidity	Up to 95%, Non- Condensing
Impedance	50Ω	Weight	210g
Port Connectors	N-Female		

<sup>1</sup>Power Handling guaranteed when load's VSWR within 1.50:1.



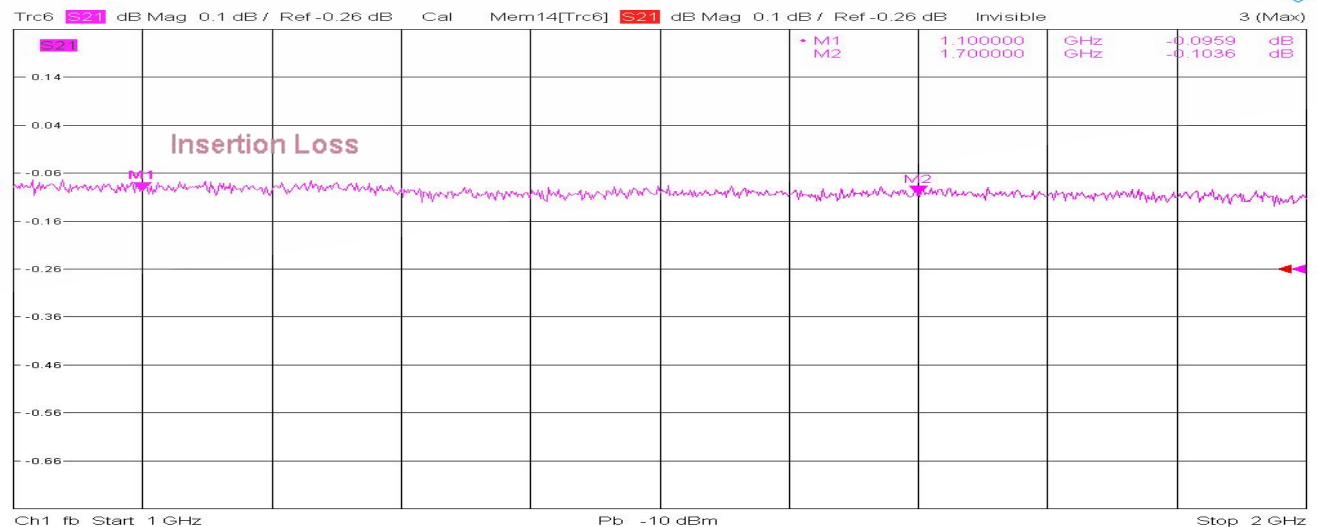
## Typical Performance

### 1. Coupling Factor & Sensitivity, Isolation, VSWR



6/6/2024, 9:24 AM

### 2. Insertion Loss



6/6/2024, 9:22 AM

