

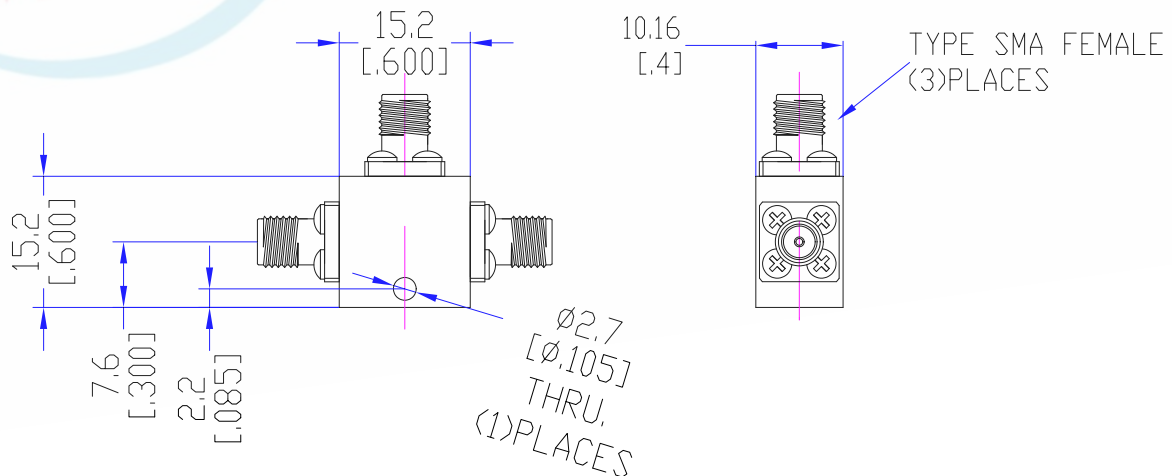
## Model TPD00180A2

### Features

- Excellent phase & amplitude balance
- Low Insertion Loss & VSWR
- High Isolation

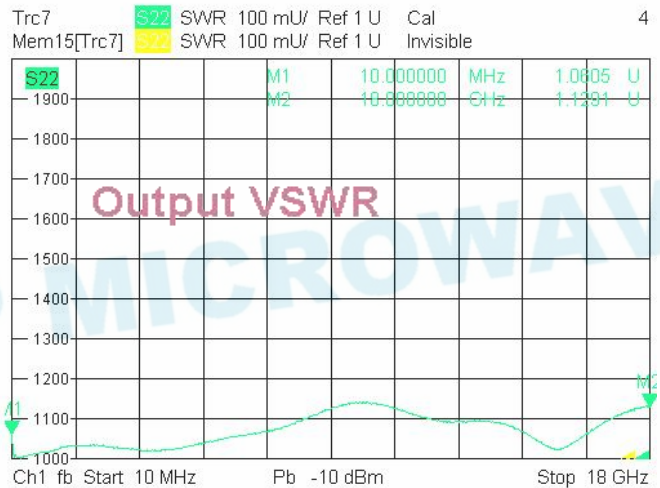
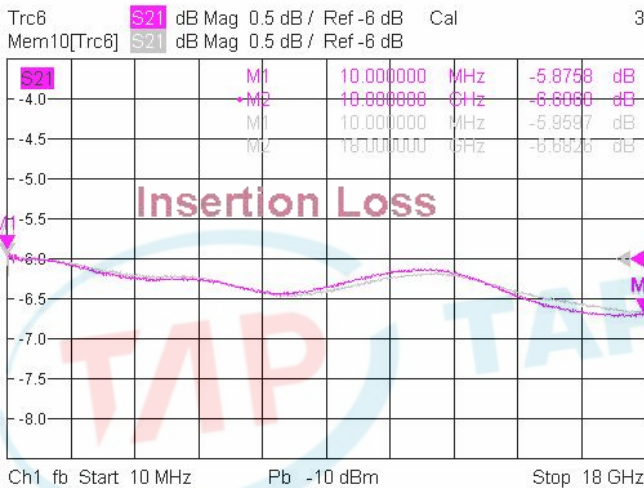
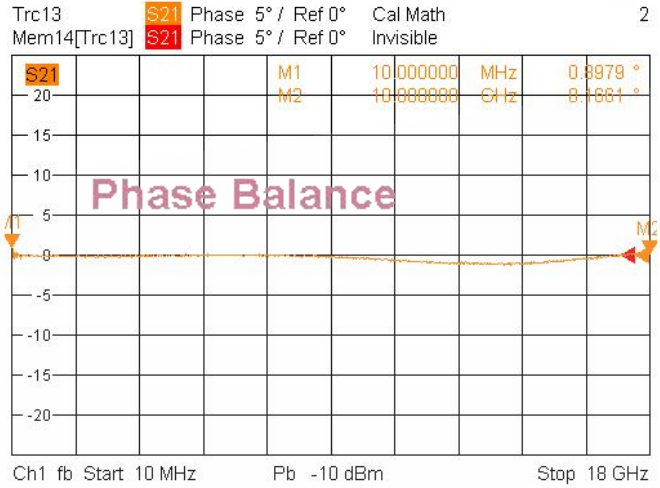
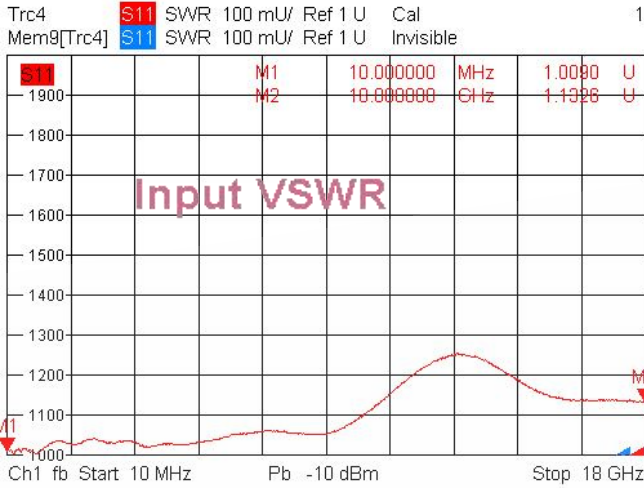
| Technical Data Sheet        |  |                       |   |
|-----------------------------|--|-----------------------|---|
| Frequency Range             | DC~18GHz                               | Finish                | Painted Blue_ RAL #5007                         |
| Insertion Loss              | ≤1.2dB<br>(Above 6.02dB Split)         | Connector Body        | Passivated Stainless Steel                      |
| VSWR                        | Input ≤1.35:1<br>Output ≤1.35:1        | Housing               | Aluminum, 6061 T6<br>Clear Chem Conversion Film |
| Isolation                   | -----                                  | Connector Pin         | Beryllium Copper, Gold Plate                    |
| Amplitude Balance           | ≤±0.3dB                                | Solder                | Lead Free, RoHS Compliant                       |
| Phase Balance               | ≤±3°                                   | Operating Temperature | -55~+85°C                                       |
| <sup>1</sup> Power Handling | Forward ≤0.5Watt;<br>Reversed ≤0.5Watt | Operating Humidity    | Up to 95%, Non-Condensing                       |
| Impedance                   | 50Ω                                    | Weight                | 20g   |
| Port Connectors             | SMA-Female                             |                       |   |

<sup>1</sup>Power Handling guaranteed when load's VSWR within 1.50:1.



## Typical Performance

### 1. Insertion Loss, Amplitude &Phase Balance, VSWR



10/12/2023, 9:26 AM

