

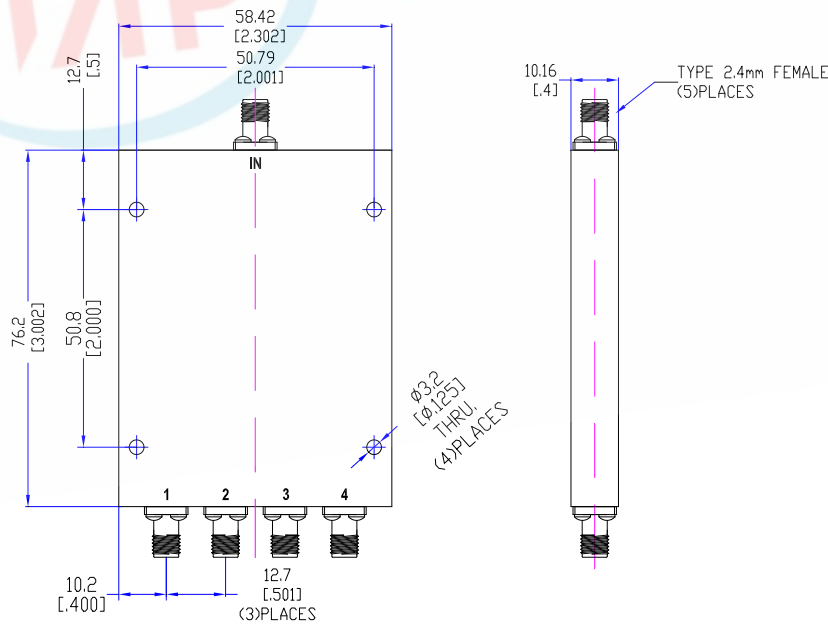
## Model TPD20400A4B

### Features

Excellent phase & amplitude balance  
 Low Insertion Loss & VSWR  
 High Isolation

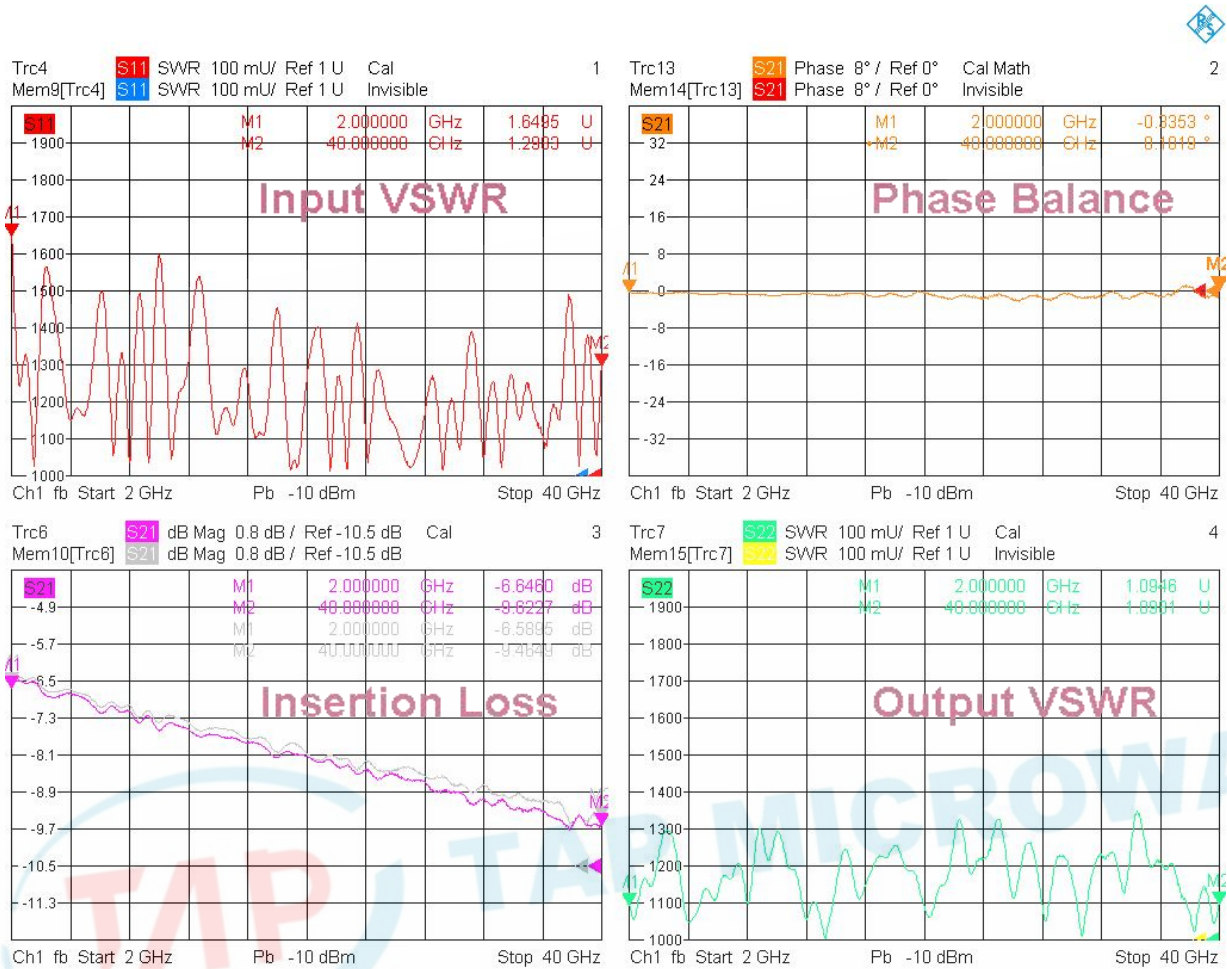
| Technical Data Sheet        |                                     |                       |   |
|-----------------------------|-------------------------------------|-----------------------|---|
| Frequency Range             | 2~40GHz                             | Finish                | Painted Blue_ RAL #5007                         |
| Insertion Loss              | ≤4.5dB<br>(Above 6.02dB Split)      | Connector Body        | Passivated Stainless Steel                      |
| VSWR                        | Input ≤1.90:1<br>Output ≤1.60:1     | Housing               | Aluminum, 6061 T6<br>Clear Chem Conversion Film |
| Isolation                   | ≥14dB                               | Connector Pin         | Beryllium Copper, Gold Plate                    |
| Amplitude Balance           | ≤±0.8dB                             | Solder                | Lead Free, RoHS Compliant                       |
| Phase Balance               | ≤±8°                                | Operating Temperature | -55~+85°C                                       |
| <sup>1</sup> Power Handling | Forward ≤10Watt;<br>Reversed ≤1Watt | Operating Humidity    | Up to 95%, Non-Condensing                       |
| Impedance                   | 50Ω                                 | Weight                | 60g   |
| Port Connectors             | 2.4mm-Female                        |                       |   |

<sup>1</sup>Power Handling guaranteed when load's VSWR within 1.50:1.



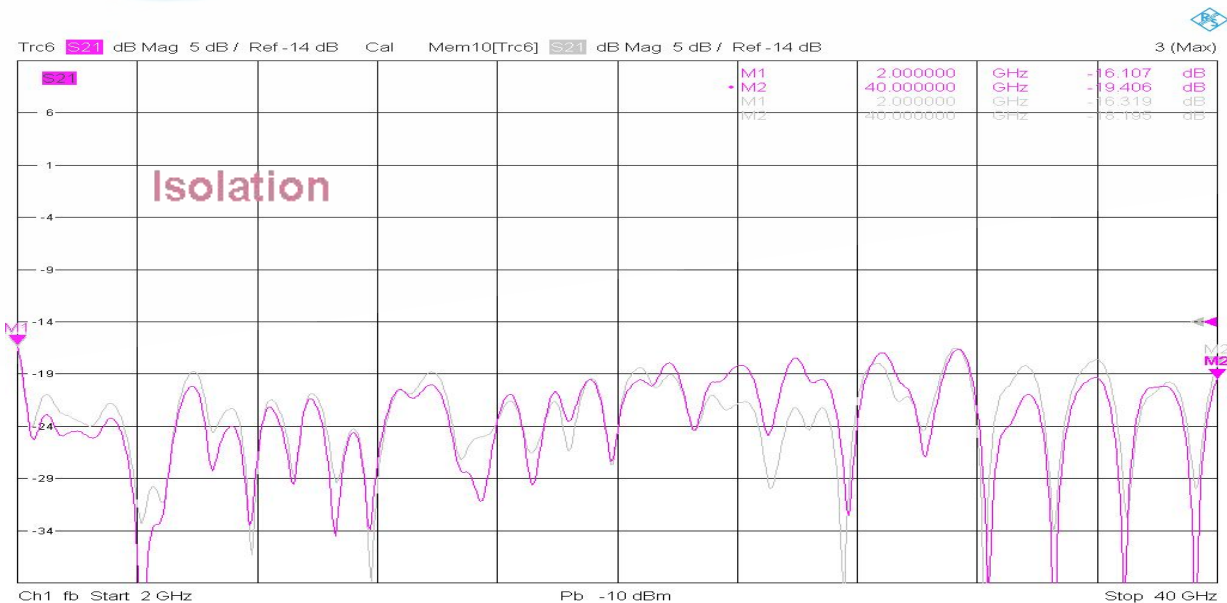
## Typical Performance

### 1. Insertion Loss, Amplitude & Phase Balance, VSWR



2/16/2023, 9:36 AM

### 2. Isolation



2/16/2023, 9:40 AM

