

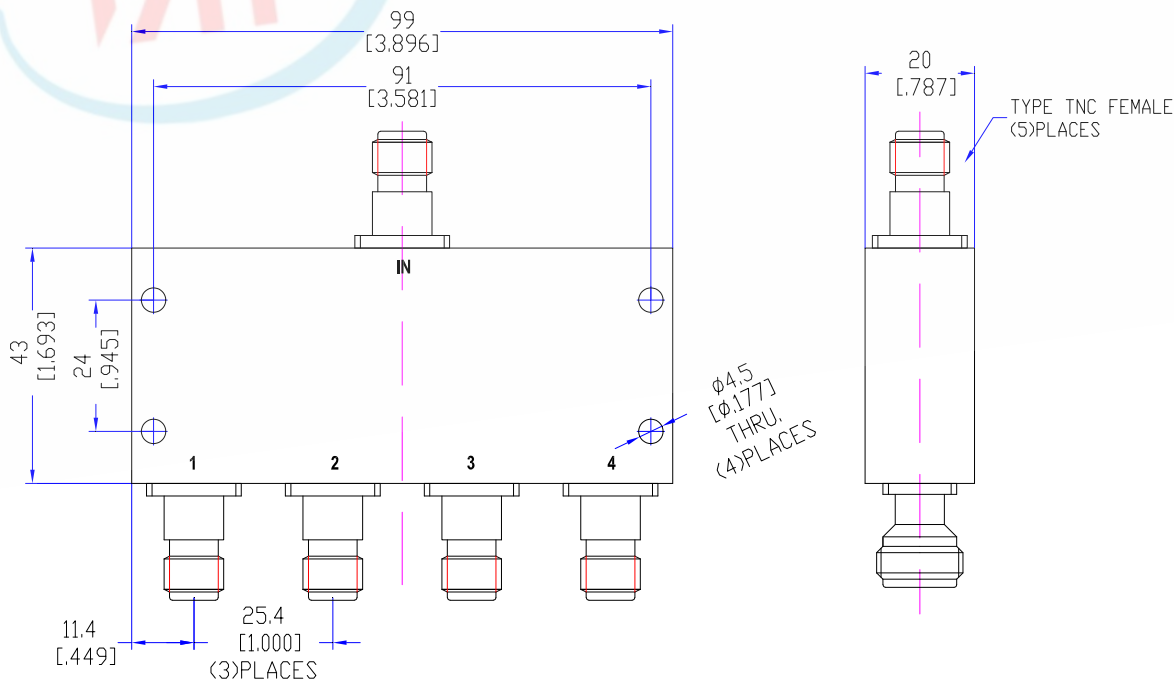
Model TPD80124T4

Features

- Excellent phase & amplitude balance
- Low Insertion Loss & VSWR
- High Isolation

Technical Data Sheet			
Frequency Range	8~12.4GHz	Finish	Painted Blue_ RAL #5007
Insertion Loss	≤2.2dB (Above 6.02dB Split)	Connector Body	Passivated Stainless Steel
VSWR	Input ≤1.50:1 Output ≤1.40:1	Housing	Aluminum, 6061 T6 Clear Chem Conversion Film
Isolation	≥16dB	Connector Pin	Beryllium Copper, Gold Plate
Amplitude Balance	≤±0.8dB	Solder	Lead Free, RoHS Compliant
Phase Balance	≤±8°	Operating Temperature	-55~+85°C
¹ Power Handling	Forward ≤30Watt; Rev. ≤2Watt each port	Operating Humidity	Up to 95%, Non-Condensing
Impedance	50Ω	Weight	280g
Port Connectors	TNC-Female		

¹Power Handling guaranteed when load's VSWR within 1.50:1.

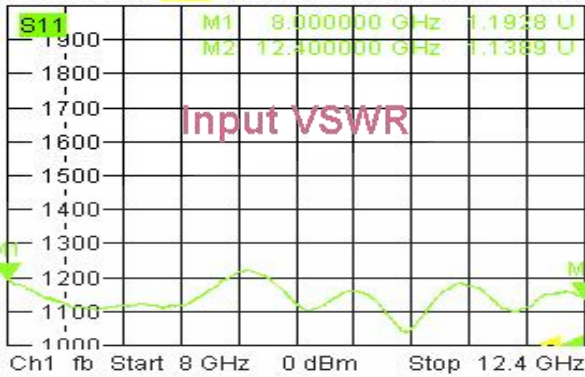


Typical Performance

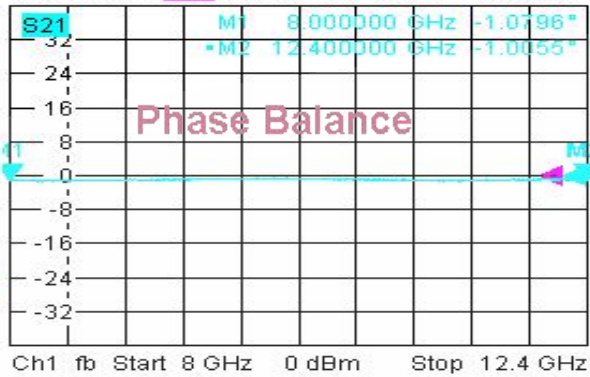
1. Insertion Loss, Amplitude &Phase Balance, VSWR



Trc1 Mem5[Trc1] S11 SWR 100 mU/ Ref 1 U Cal Invis



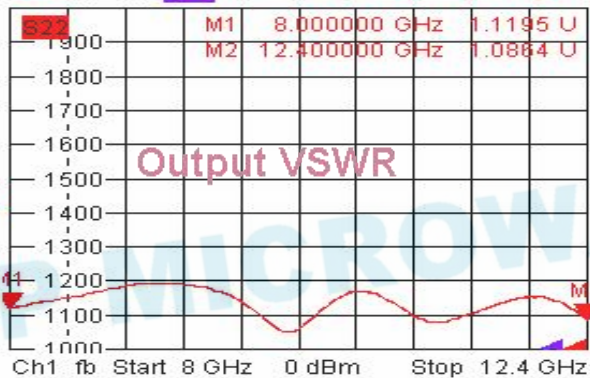
Trc2 Mem6[Trc2] S21 Phase 8° / Ref 0° Cal Math Invisible



Trc3 Mem7[Trc3] S21 dB Mag 0.8 dB / Ref -6 dB C S21 dB Mag 0.8 dB / Ref -6 dB



Trc4 Mem8[Trc4] S22 SWR 100 mU/ Ref 1 U Cal Invisible

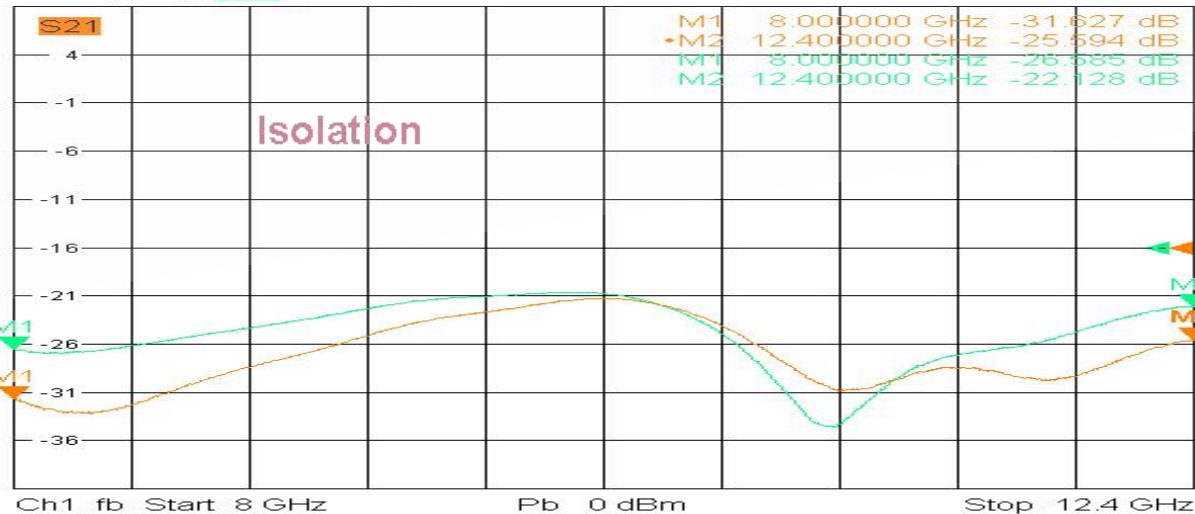


11/3/2020, 6:23 PM

2. Isolation



Trc3 Mem7[Trc3] S21 dB Mag 5 dB / Ref -16 dB Cal 3 (Max)



11/3/2020, 6:38 PM

