

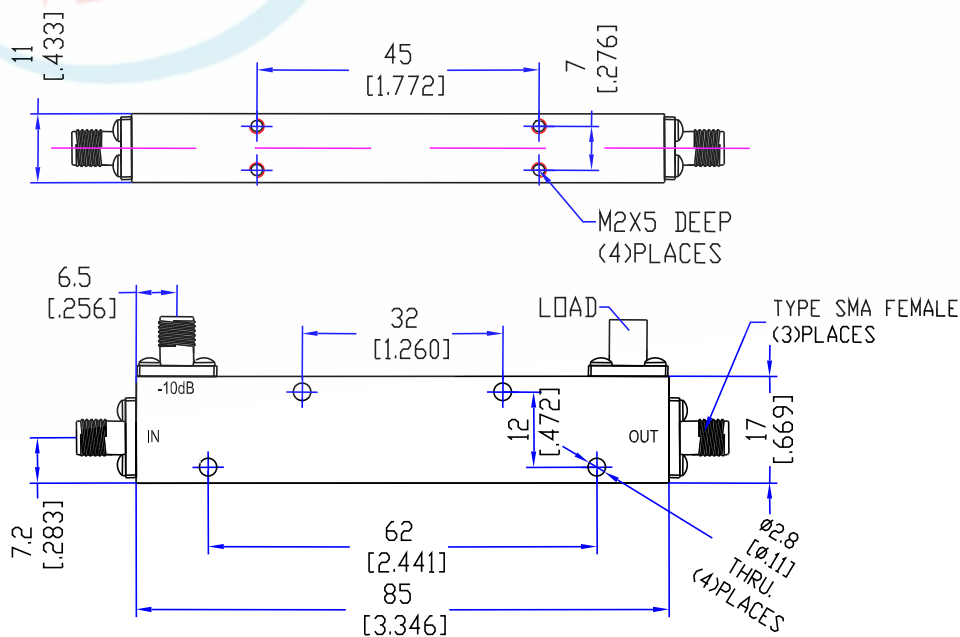
Model TDC0827A10

Features

Low VSWR
High Directivity
Broadband & Miniature Size

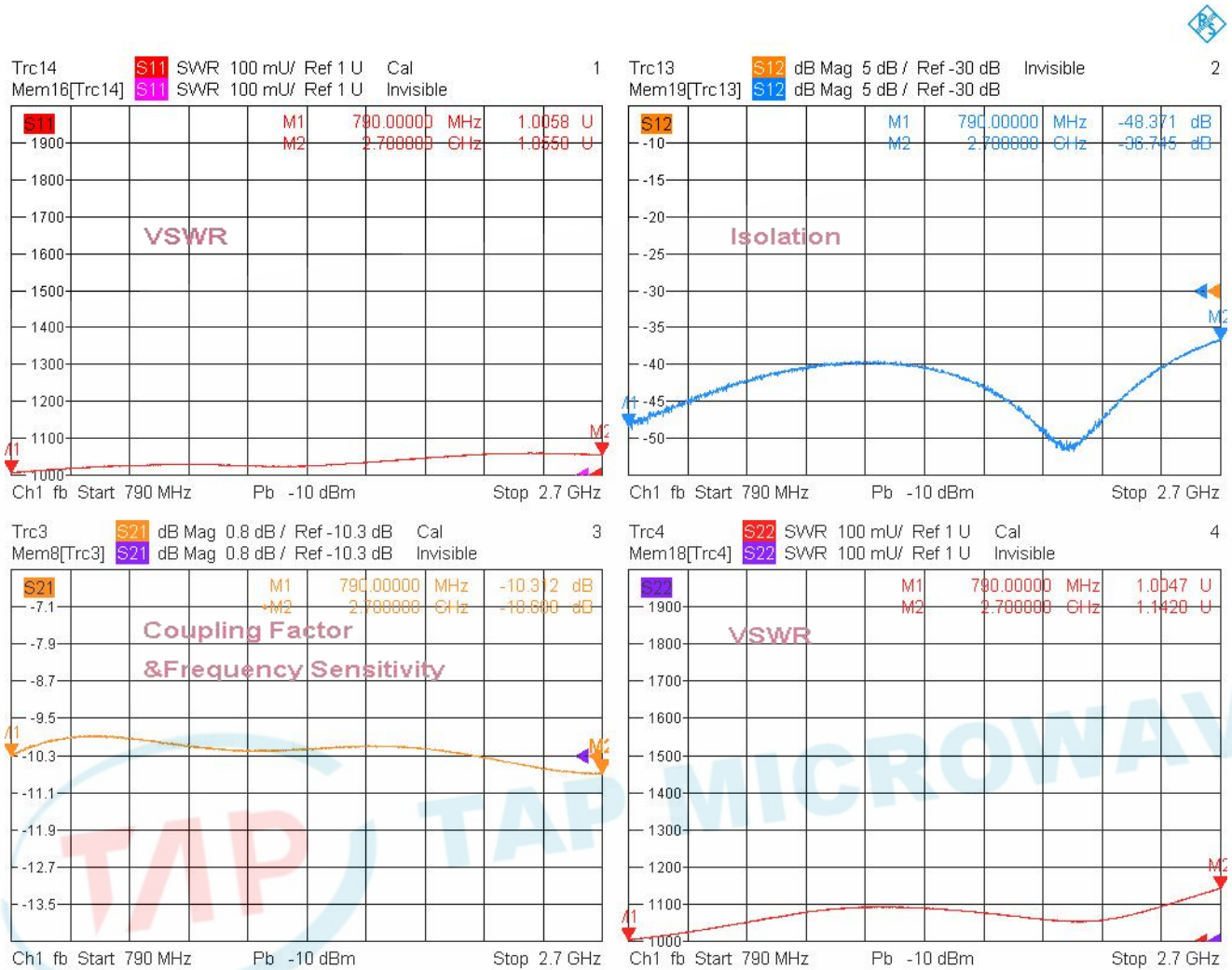
Technical Data Sheet			
Frequency Range	790~2700MHz	Finish	Natural Conductive Oxidation
Insertion Loss	≤0.4dB (Excl. Coupling Loss 0.46dB)	Connector Body	Brass, Tri-Alloy Plate
Coupling Factor	≤10±0.6dB	Housing	Aluminum, 6061 T6 Clear Chem Conversion Film
Coupling Sensitivity	≤±0.8dB	Connector Pin	Beryllium Copper, Gold Plate
Directivity	≥20dB	Solder	Lead Free, RoHS Compliant
VSWR	Primary ≤1.20:1 Secondary ≤1.20:1	Operating Temperature	-55~+85°C
¹ Power Handling	Incident ≤50Watt; Reflected ≤2Watt	Operating Humidity	Up to 95%, Non-Condensing
Impedance	50Ω	Weight	50g
Port Connectors	SMA-Female		

¹Power Handling guaranteed when load's VSWR within 1.50:1.



Typical Performance

1. Coupling Factor & Sensitivity, Isolation, VSWR



10/17/2024, 1:08 PM

2. Insertion Loss



10/17/2024, 1:09 PM

